

# SELECT

## series

Thermofoil & Slab Doors - White Interiors

Cabinetsmith   
style • quality • affordability

# Specification Guide

*Digitally Published June 7, 2021*



# SELECT series

## Cabinet Construction

*\*Contact us for delivery times on multi-unit orders.*

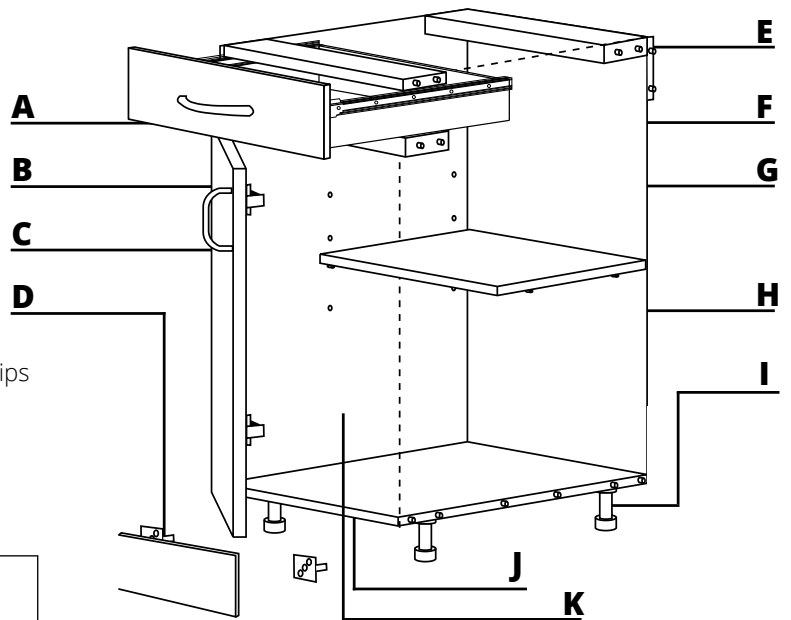


INT. COLOUR: *White*  
 EXT. SIDES COLOUR: *Colour matched to door*  
 VERTICAL EDGE TAPE: *Colour matched to door*  
 HORIZONTAL EDGE TAPE: *White*  
 STANDARD: *Non-Soft Close Hinges & Non-Soft Close Metabox Drawers*

### Quality Cabinetry

- A** Metabox (Epoxy Coated Steel Drawer Sides)
- B** 100% Melamine Interiors"
- C** Clip-on Hinges
- D** ½" Clip-on Melamine Toekick
- E** 1½" Support Rails (Excluding Drawer Banks)
- F** ⅛" Backing on all Cabinets
- G** 10¼" Deep Adjustable Cabinet Shelves ⅝" with locking clips
- H** Dowel and Glue Cabinet Construction
- I** Base Cabinets on Adjustable Leg \*Min: 3¾" Max: 5¼"
- J** White horizontal edge to match with interior of cab
- K** Gable Height is 30¼" H

*Exposed base end cabinets will require repositioning of legs to accommodate toe-kick return or purchase of base end panel.*



**NOTE:** Cabinetsmith dimensions are subject to a +/- 2mm tolerance.

### Upgrade to:



**Soft Close Hinge**

\*30" doors require only one soft close hinge.  
 40" doors require two soft close hinges.



**Soft Close Metabox Drawer**

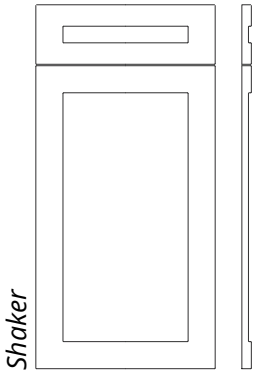


**Interio Drawer**

(full extension, soft close)

# SELECT series Door Styles

## Huntsville



### Specifications

- Construction – square routed (2-piece)
- Door Panel – square recessed
- Drawer front – square recessed
- Profile – bevel edge inside and outside

### Notes/Details

- 5"H drawer fronts have 1" high centre panel
- ¾" thermofoil
- SSS door is on standard white gable and will have different texture than door.

White	SSW
Antique White	SSA
Chocolate Pear	SSC

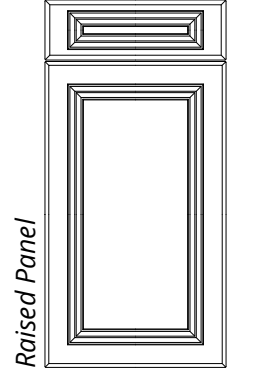
### Soft Touch

Dove Grey	SSD
Willow Grey	SSL

### Smooth Paint-like Finish

Smooth White	SSS
--------------	-----

## Simcoe



### Specifications

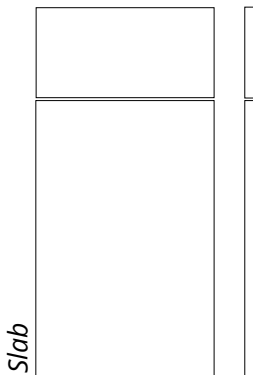
- Construction – square routed
- Door Panel – square routed raised
- Drawer Front – square routed raised
- Profile – sculpted outside edge

### Notes/Details

- ¾" thermofoil

White	TSW
Antique White	TSA
Chocolate Pear	TSC

## Metro Smooth



### Specifications

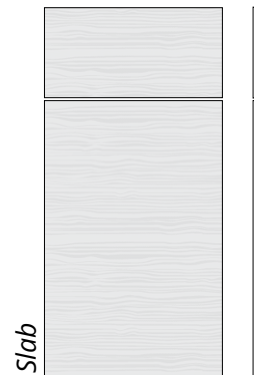
- Construction – Square Slab
- Door Panel – slab
- Drawer Front – slab
- Profile – 90 degree square edge

### Notes/Details

- ¾" thermofoil
- No glass prep available
- Smooth Paint-like finish

White Smooth	SMW
--------------	-----

## Inspire



### Specifications

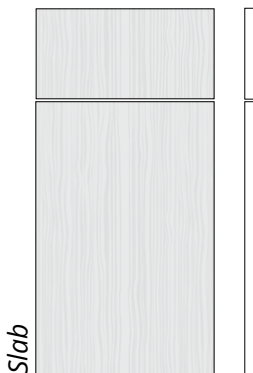
- Construction – slab melamine with 1/8" thick woodgrain PVC edging
- Door Panel – slab
- Drawer Front – slab
- Profile – 90 degree square edge

### Notes/Details

- No glass prep available
- Horizontal Grain Pattern for doors, drawers, base gables, wall gables, accessories, overlay panels.
- Vertical Grain Pattern for all Tall cabinets pantry, broom, utility hutch, oven cabinets).

Arctic	IAR
Cliffstone	ICS
Black River	IBR

## Pembroke



### Specifications

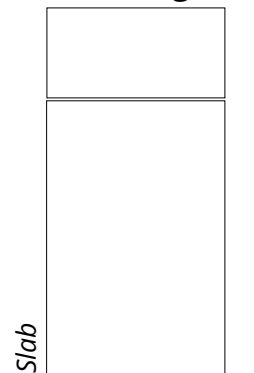
- Construction – slab melamine with 1/8" thick woodgrain PVC edging
- Door Panel – slab
- Drawer Front – slab
- Profile – 90 degree square edge

### Notes/Details

- Vertical Grain Pattern only visible in Chocolate Pear
- No glass prep available

White	ELW
Antique White	ELA
Chocolate Pear	ELC

## Urban High Gloss



### Specifications

- Construction – 3/4" High Gloss Melamine
- Door Panel – slab
- Drawer Front – slab
- Profile – 90 degree square edge
- White Edgetape!

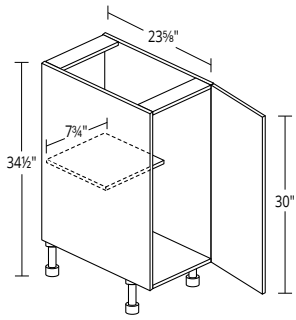
### Notes/Details

- Not available in vanities
- No glass prep available

**Colour Matched Overlay Panels must be purchased to cover any exposed cabinet ends. \* 4 week lead time**

White	HGW
-------	-----

## 24" DEEP SINGLE FULL HEIGHT DOOR BASE



### SKU

BH09 (L/R)	9"W
BH12 (L/R)	12"W
BH13.5 (L/R)	13.5"W
BH15 (L/R)	15"W
BH16.5 (L/R)	16.5"W
BH18 (L/R)	18"W
BH21 (L/R)	21"W

### Standard Features

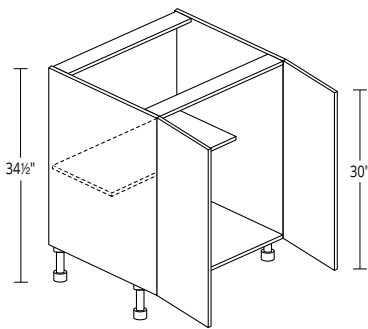
- Half-depth adjustable shelf (x1)
- Minimum Cabinet size for Rollouts is 13.5" W
- Rollout locations are predetermined

### UPGRADES

Soft Close Door
Metabox Rollout (x2)

See additional accessories available on page 21 & 22.

## 24" DEEP DOUBLE FULL HEIGHT DOOR BASE



### SKU

BH24	24"W
BH27	27"W
BH30	30"W
BH33	33"W
BH36	36"W

### Standard Features

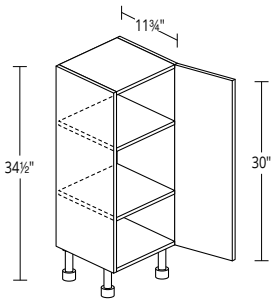
- Half-depth adjustable shelf (x1)
- Rollout locations are predetermined

### UPGRADES

Soft Close Door
Metabox Rollout (x2)

See additional accessories available on page 21 & 22.

## 12" DEEP SINGLE FULL HEIGHT DOOR BASE



### SKU

BFH0912 (L/R)	9"W
BFH1212 (L/R)	12"W
BFH13.512 (L/R)	13.5"W
BFH1512 (L/R)	15"W
BFH16.512 (L/R)	16.5"W
BFH1812 (L/R)	18"W
BFH2112 (L/R)	21"W

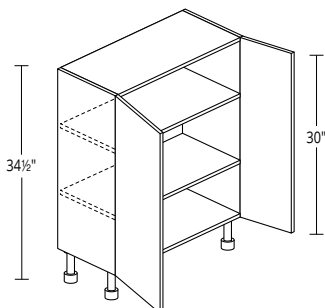
### Standard Features

- Adjustable shelf (x2)

### UPGRADES

Soft Close Door
-----------------

## 12" DEEP DOUBLE FULL HEIGHT DOOR BASE



### SKU

BFH2412	24"W
BFH2712	27"W
BFH3012	30"W
BFH3312	33"W
BFH3612	36"W

### Standard Features

- Adjustable shelf (x2)

### UPGRADES

Soft Close Door
-----------------

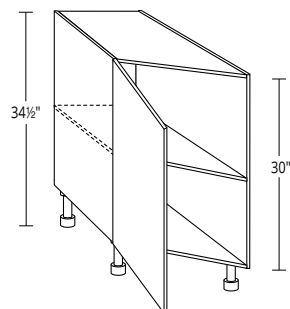
## TRANSITIONAL END BASE

### Standard Features

- Adjustable shelf (x1)
- If using this cabinet in your design *do not* measure for countertop until base cabinets are installed

### UPGRADES

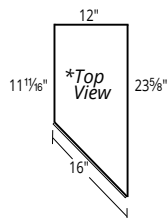
45° Soft Close Door
---------------------



\*Left hand shown.

### SKU

BTE12 (L/R)



## 24" DEEP SINGLE DRAWER/DOOR BASE

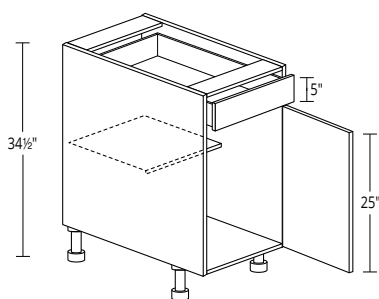
### Standard Features

- Half-depth adjustable shelf (x1)
- Metabox drawer box system
- Minimum Cabinet size for Rollouts is 13.5" wide

### UPGRADES

Soft Close Door
Soft Close Metabox Drawer
Metabox Rollout (x2)
Interio Drawer (x1)

See additional accessories available on page 21 & 22.



### SKU

BD12 (L/R)	12"W
BD13.5 (L/R)	13.5"W
BD15 (L/R)	15"W
BD16.5 (L/R)	16.5"W
BD18 (L/R)	18"W
BD21 (L/R)	21"W

## 24" DEEP DOUBLE DRAWER/DOOR BASE

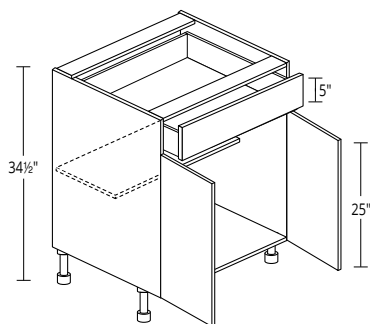
### Standard Features

- Half-depth adjustable shelf (x1)
- Metabox drawer box system

### UPGRADES

Soft Close Doors
Soft Close Metabox Drawer
Metabox Rollout (x2)
Interio Drawer (x1)

See additional accessories available on page 21 & 22.



### SKU

BD24	24"W
BD27	27"W
BD30	30"W
BD33	33"W
BD36	36"W

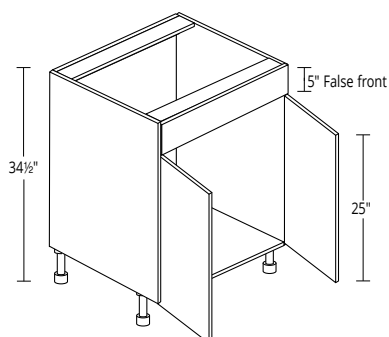
## 24" DEEP SINK BASE

### Standard Features

- 5" Height sink front
- Back panel included
- No shelf

### UPGRADES

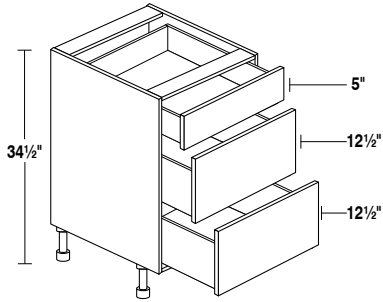
Soft Close Doors
Tip Out Tray (SFT)



### SKU

SB24	24" W
SB27	27" W
SB30	30" W
SB33	33" W
SB36	36" W

## 24" DEEP 3 DRAWER BASE



### SKU

DB12-3	12"W
DB15-3	15"W
DB18-3	18"W
DB21-3	21"W
DB24-3	24"W
DB27-3	27"W
DB30-3	30"W
DB33-3	33"W

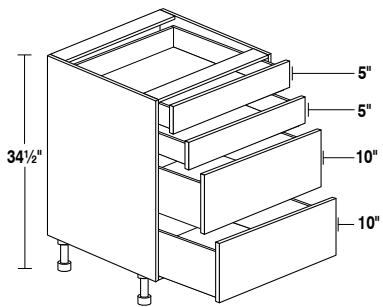
### Standard Features

- Metabox drawer box system

### UPGRADES

Soft Close Metabox Drawers
Interio Drawer (x3)

## 24" DEEP 4 DRAWER BASE



### SKU

DB12-4	12"W
DB15-4	15"W
DB18-4	18"W

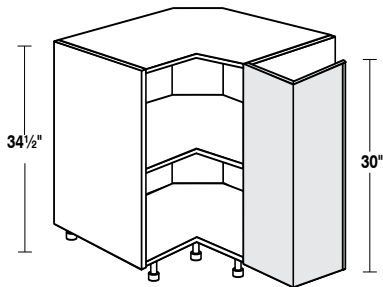
### Standard Features

- Metabox drawer box system

### UPGRADES

Soft Close Metabox Drawers
Interio Drawer (x4)

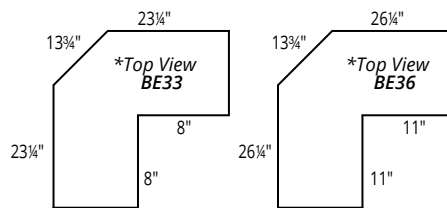
## EASY REACH CORNER (L/R)



\*Right hand shown.

### SKU

BE33 (L/R)	33"W
BE36 (L/R)	36"W



### Standard Features

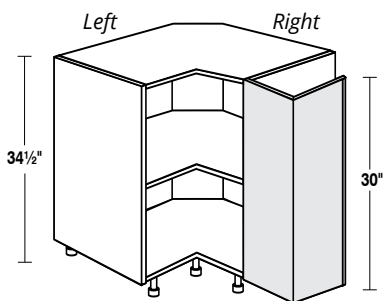
- Full-depth adjustable shelf (x1)
- 5/8" Back panel
- x2 bifold hinges
- BE36 fits butterfly sink only
- Soft close *not* available

### UPGRADES

Lazy Susan PVC (33")
Lazy Susan PVC (36")
Lazy Susan Wire (33")
Lazy Susan Wire (36")

See additional accessories available on page 26 & 27.

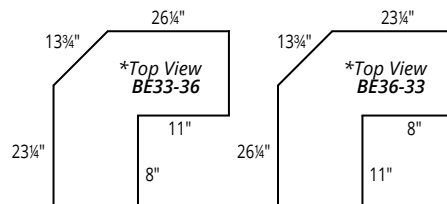
## EASY REACH CORNER OFFSET (L/R)



\*Right hand shown.

### SKU

BE33-36 (L/R)	(L33-R36)
BE36-33 (L/R)	(L36-R33)



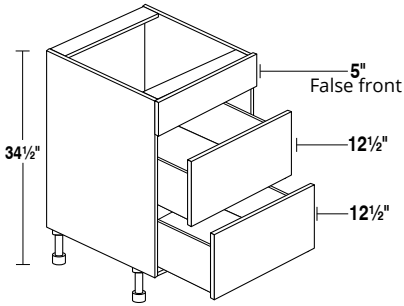
### Standard Features

- Full-depth adjustable shelf (x1)
- 5/8" Back panel
- x2 bifold hinges
- BE36 fits butterfly sink only
- Soft close *not* available

### UPGRADES

Lazy Susan PVC (33")
Lazy Susan Wire (33")

**24" DEEP COOKTOP BASE**



**SKU**

BC30	30"W
BC33	33"W

*Note: Refer to the Manufacturers specs regarding installation requirements of any appliances.*

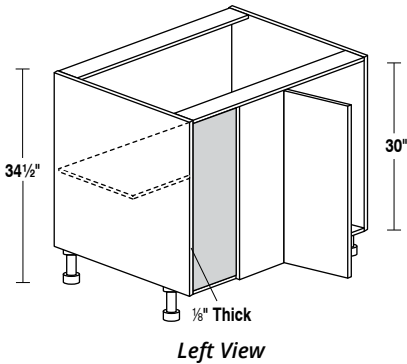
**Standard Features**

- Metabox drawer box system

**UPGRADES**

Soft Close Metabox Drawers
Interio Drawer (x2)

**BLIND CORNER 39" - 48"**



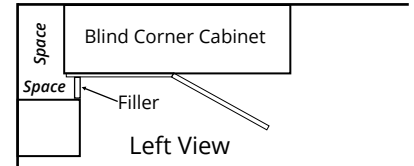
**SKU**

BBH39 (3" pull) L/R	39"W
BBH42 (6" pull) L/R	42"W
BBH45 (9" pull) L/R	45"W
BBH48 (12" pull) L/R	48"W

Cab	Wall Space to Fill	Door Size	Fill Req.	Min Pull	Max Pull
BBH39	39-42"	12"	3"	3"	5"
BBH42	42-44"	15"	3"	6"	8"
BBH45	45-47"	18"	3"	9"	11"
BBH48	48-50"	21"	3"	12"	14"

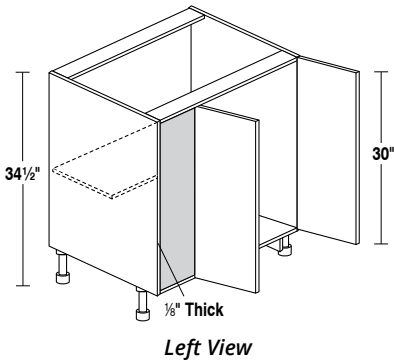
**Standard Features**

- Half-depth adjustable shelf (x1)
- 36" W Cabinet Box
- Back Panel
- Soft close *not* available
- Filler to be ordered separately



See additional accessories available on page 21 & 22.

**BLIND CORNER 51" - 63"**



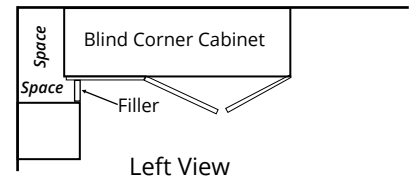
**SKU**

BBH51 (2" pull) L/R	51"W
BBH54 (6" pull) L/R	54"W
BSB60 (12" pull) L/R	60"W
BSB63 (15" pull) L/R	63"W

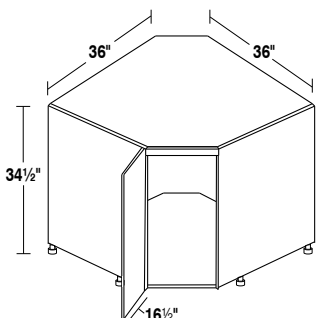
Cab	Wall Space to Fill	Door Size	Fill Req.	Min Pull	Max Pull
BBH51	51-53"	2X 12"	3"	3"	5"
BBH54	54-56"	2X 13.5"	3"	6"	8"
BSB60	60-62"	2X 16.5"	3"	12"	14"
BSB63	63-65"	2X 18"	3"	15"	17"

**Standard Features**

- Half-depth adjustable shelf (x1)
- 48" W Cabinet Box
- Back Panel
- Soft close *not* available
- Filler to be ordered separately



**ANGLED SINK CORNER**



**SKU**

BSA36 (L/R)	36"W
-------------	------

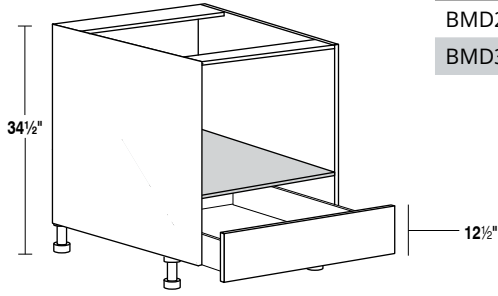
**Standard Features**

- Solid Top and Bottom
- Note: This is an assembled unit
- Largest Sink 27"W (Sink & 1/2)
- No shelf

**UPGRADES**

45° Soft Close Door
---------------------

## MICROWAVE BASE CABINET



### SKU

BMD24	24"W
BMD30	30"W

### Standard Features

- Metabox drawer box system
- Matching Interior

### UPGRADES

Soft Close Metabox Drawers
----------------------------

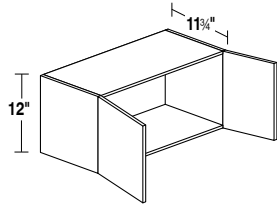
Interio Drawer (x1)
---------------------

*Note: Matching Interior not available in Urban High Gloss (HGW) or Smooth White (SMW). Will have different texture than Smooth White (SMW & SSS).*

Cabinetsmith



## 12" HIGH WALL



SKU	
W3012	30"W
W3312	33"W
W3612	36"W

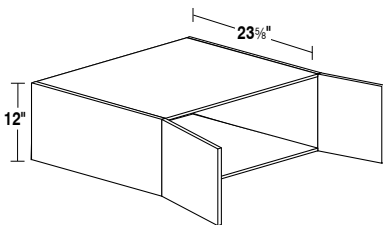
### Standard Features

- Designed for use over sink, range or refrigerator
- No shelf

### UPGRADES

Soft Close Doors

## 12" HIGH REFRIGERATOR WALL



SKU	
W3012-24	30"W
W3312-24	33"W
W3612-24	36"W

### Standard Features

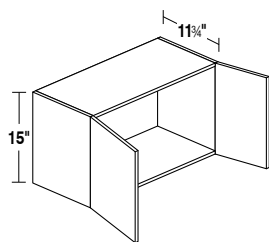
- Designed for use over the refrigerator
- No shelf

### UPGRADES

Soft Close Doors

*Note: 24" Deep Wall Cabinets must be secured to an adjacent 24" deep Tall Cabinet (Broom, Pantry, Hutch) and an adjacent Wall Cabinet. Cabinet cannot stand alone or at the return end of a run unless supported by a refrigerator panel.*

## 15" HIGH WALL



SKU	
W2415	24"W
W2715	27" W
W3015	30"W
W3315	33"W
W3615	36"W

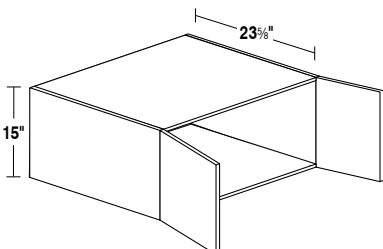
### Standard Features

- Designed for use over sink, range, above microwave shelf or refrigerator
- No shelf

### UPGRADES

Soft Close Doors

## 15" HIGH REFRIGERATOR WALL



SKU	
W2415-24	24"W
W2715-24	27"W
W3015-24	30"W
W3315-24	33"W
W3615-24	36"W

### Standard Features

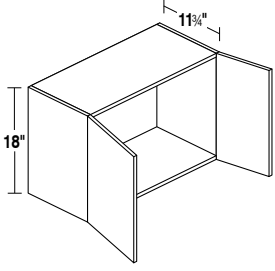
- Designed for use over the refrigerator
- No shelf

### UPGRADES

Soft Close Doors

*Note: 24" Deep Wall Cabinets must be secured to an adjacent 24" deep Tall Cabinet (Broom, Pantry, Hutch) and an adjacent Wall Cabinet. Cabinet cannot stand alone or at the return end of a run unless supported by a refrigerator panel.*

## 18" HIGH WALL



SKU	
W2418	24"W
W3018	30"W
W3318	33"W
W3618	36"W

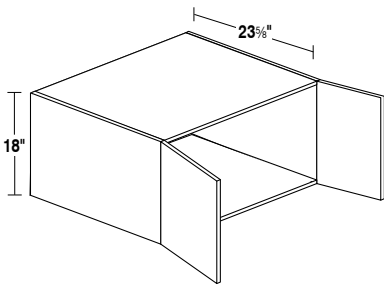
### Standard Features

- Designed for use over sink, range or the refrigerator
- No shelf

### UPGRADES

Soft Close Doors	
------------------	--

## 18" HIGH REFRIGERATOR WALL



SKU	
W2418-24	24"W
W3018-24	30"W
W3318-24	33"W
W3618-24	36"W

### Standard Features

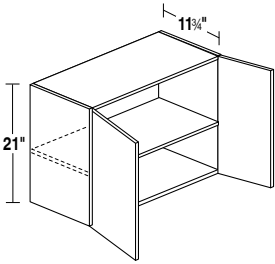
- Designed for use over the refrigerator
- No shelf

### UPGRADES

Soft Close Doors	
------------------	--

*Note: 24" Deep Wall Cabinets must be secured to an adjacent 24" deep Tall Cabinet (Broom, Pantry, Hutch) and an adjacent Wall Cabinet. Cabinet cannot stand alone or at the return end of a run unless supported by a refrigerator panel.*

## 21" HIGH WALL



SKU	
W2421	24"W
W3021	30"W
W3321	33"W
W3621	36"W

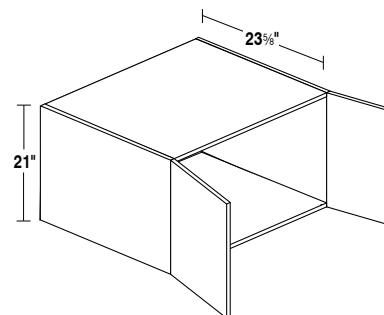
### Standard Features

- Designed for use over sink, range, above microwave shelf or refrigerator
- Adjustable shelf (x1)

### UPGRADES

Soft Close Doors	
------------------	--

## 21" HIGH REFRIGERATOR WALL



SKU	
W3021-24	30"W
W3321-24	33"W
W3621-24	36"W

### Standard Features

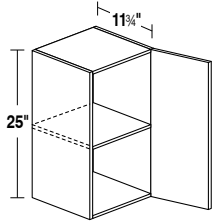
- Designed for use over the refrigerator
- No shelf

### UPGRADES

Soft Close Doors	
------------------	--

*Note: 24" Deep Wall Cabinets must be secured to an adjacent 24" deep Tall Cabinet (Broom, Pantry, Hutch) and an adjacent Wall Cabinet. Cabinet cannot stand alone or at the return end of a run unless supported by a refrigerator panel.*

## 25" HIGH SINGLE DOOR WALL



### SKU

W1225 (L/R)	12"W
W1525 (L/R)	15"W
W1825 (L/R)	18"W
W2125 (L/R)	21"W

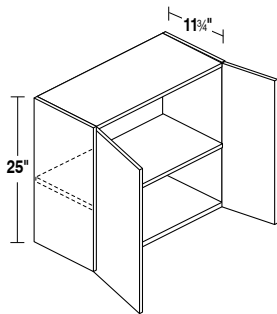
### Standard Features

- Adjustable shelf (x1)

### UPGRADES

Soft Close Door

## 25" HIGH DOUBLE DOOR WALL



### SKU

W2425	24"W
W2725	27"W
W3025	30"W
W3325	33"W
W3625	36"W

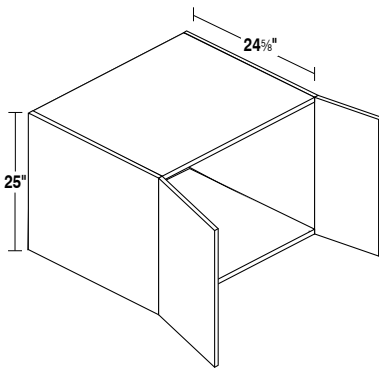
### Standard Features

- Designed for use over sink, range, above microwave shelf or refrigerator
- Adjustable shelf (x1)

### UPGRADES

Soft Close Doors

## 25" HIGH REFRIGERATOR WALL



### SKU

W3025-24	30"W
W3325-24	33"W
W3625-24	36"W

### Standard Features

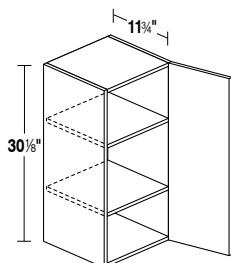
- Designed for use over the refrigerator
- No shelf

### UPGRADES

Soft Close Doors

*Note: 24" Deep Wall Cabinets must be secured to an adjacent 24" deep Tall Cabinet (Broom, Pantry, Hutch) and an adjacent Wall Cabinet. Cabinet cannot stand alone or at the return end of a run unless supported by a refrigerator panel.*

## 30" HIGH SINGLE DOOR WALL



### SKU

W0930 (L/R)	9"W
W1230 (L/R)*	12"W
W13530 (L/R)	13.5"W
W1530 (L/R)*	15"W
W16.530 (L/R)*	16.5"W
W1830 (L/R)*	18"W
W2130 (L/R)	21"W

### Standard Features

- Adjustable Shelf (x2)

### UPGRADES

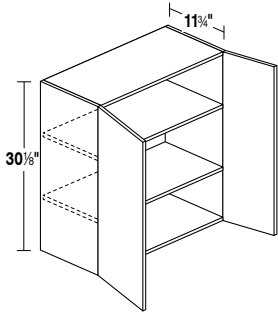
Soft Close Doors

Prepped for Glass

Matching interior

*Note: Glass prep and/or matching interior available only in cab sizes marked by \*  
Matching Interior & Glass prep not available in Metro Smooth.*

## 30" HIGH DOUBLE DOOR WALL



SKU	Width
W2430*	24"W
W2730	27"W
W3030*	30"W
W3330*	33"W
W3630*	36"W

### Standard Features

- Adjustable Shelf (x2)

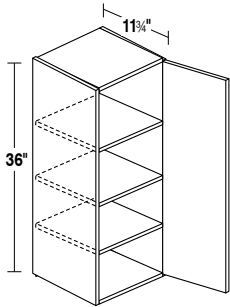
### UPGRADES

Soft Close Doors
Prepped for Glass
Matching interior

*Note: Glass prep and/or matching interior available only in cab sizes marked by \**

*Matching Interior & Glass prep not available in Inspire, Metro Smooth, Urban High Gloss, or Pembroke door styles.*

## 36" HIGH SINGLE DOOR WALL (SSW / SSD / SSL / SSS / SMW DOORS ONLY.)



Right Hinge Shown

SKU	Width
W0936 (L/R)	9"W
W1236 (L/R)*	12"W
W13.536 (L/R)	13.5"W
W1536 (L/R)*	15"W
W16.536 (L/R)*	16.5"W
W1836 (L/R)*	18"W
W2136 (L/R)	21"W

### Standard Features

- Adjustable Shelf (x3)

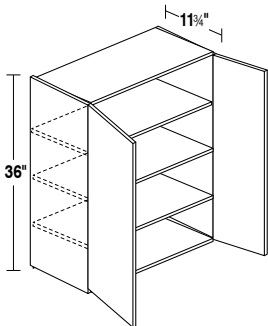
### UPGRADES

Soft Close Doors
Prepped for Glass
Matching interior

*Note: Glass prep and/or matching interior available only in cab sizes marked by \**

*Matching Interior & Glass prep not available in Metro Smooth.*

## 36" HIGH DOUBLE DOOR WALL (SSW / SSD / SSL / SSS / SMW DOORS ONLY.)



SKU	Width
W2436*	24"W
W2736	27"W
W3036*	30"W
W3336*	33"W
W3636*	36"W

### Standard Features

- Adjustable Shelf (x3)

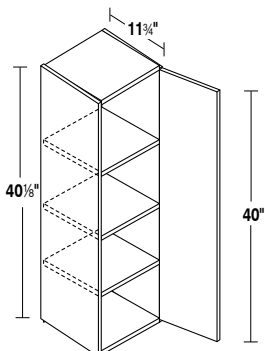
### UPGRADES

Soft Close Doors
Prepped for Glass
Matching interior

*Note: Glass prep and/or matching interior available only in cab sizes marked by \**

*Matching Interior & Glass prep not available in Metro Smooth*

## 40" HIGH SINGLE DOOR WALL



SKU	Width
W0940 (L/R)	9"W
W1240 (L/R)*	12"W
W13.540 (L/R)	13.5"W
W1540 (L/R)*	15"W
W16.540 (L/R)*	16.5"W
W1840 (L/R)*	18"W
W2140 (L/R)	21"W

### Standard Features

- Adjustable Shelf (x3)

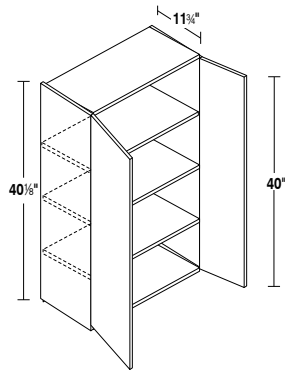
### UPGRADES

Soft Close Door
Prepped for Glass
Matching interior

*Note: Glass prep and/or matching interior available only in cab sizes marked by \**

*Matching Interior & Glass prep not available in Inspire, Metro Smooth, Urban High Gloss, or Pembroke door styles.*

## 40" HIGH DOUBLE DOOR WALL



### SKU

W2440*	24"W
W2740	27"W
W3040*	30"W
W3340*	33"W
W3640*	36"W

### Standard Features

- Adjustable Shelf (x3)

### UPGRADES

Soft Close Doors

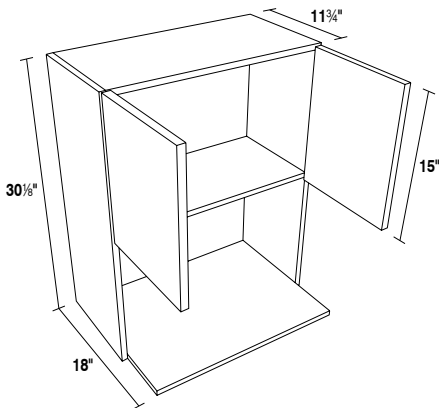
Prepped for Glass

Matching interior

*Note: Glass prep and/or matching interior available only in cab sizes marked by \**

*Matching Interior & Glass prep not available in Inspire, Metro Smooth, Urban High Gloss, or Pembroke door styles.*

## 30"H WALL & MICROWAVE SHELF (AVAILABLE IN WHITE DOORS ONLY.)



### SKU

WMS2430	24"W
---------	------

### Standard Features

- No Shelf

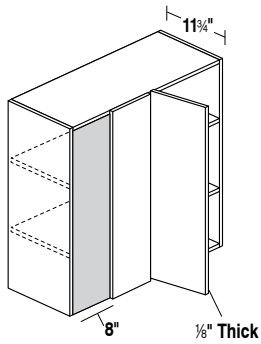
### UPGRADES

Soft Close Doors

*Note: Matching Interior not available in Urban High Gloss, or Smooth White (SMW & SSS).*

# WALL CORNER CABINETS

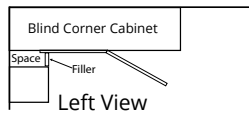
## 30" / 36" / 40" HIGH SINGLE DOOR BLIND CORNER WALL



Left hand shown.

### SKU

WB2430 (L/R)	24"W
WB2730 (L/R)	27"W
WB3030 (L/R)	30"W
WB3330 (L/R)	33"W
WB3630 (L/R)	36"W



Left View

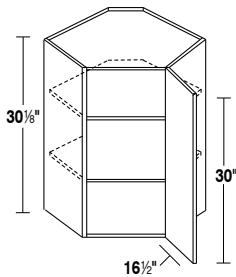
### Standard Features

- Adjustable Shelf (x2)
- Filler to be ordered separately
- Soft close *not* available

Cab	Wall Space to Fill	Door Size	Fill Req.	Min Pull	Max Pull
WB2430	24-26"	9"	3"	0"	2"
WB2730	27-29"	12"	3"	0"	2"
WB3030	30-32"	15"	3"	0"	2"
WB3330	33-35"	18"	3"	0"	2"
WB3630	36-38"	21"	3"	0"	2"

Wall blind box sizes are as stated, pulling is optional. Subject to site conditions.

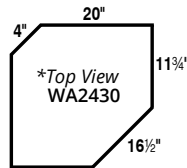
## 30" HIGH ANGLE CORNER WALL



Right Hinge Shown

### SKU

WA2430 (L/R)	12"D
--------------	------



\*Top View  
WA2430

### Standard Features

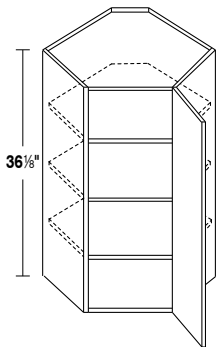
- Adjustable Shelf (x2)
- 5/8" Back Panel

### UPGRADES

45° Soft Close Door
Prepped for Glass Door
Matching interior

Note: Matching Interior & Glass prep not available in Inspire, Metro Smooth, Urban High Gloss, or Pembroke door styles.

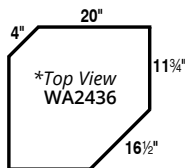
## 36" HIGH ANGLE CORNER WALL (SSW / SSD / SSS / SMW DOORS ONLY.)



Right Hinge Shown

### SKU

WA2436 (L/R)	12"D
--------------	------



\*Top View  
WA2436

### Standard Features

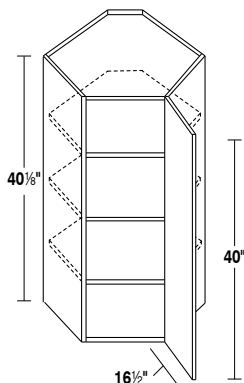
- Adjustable Shelf (x3)
- 5/8" Back Panel

### UPGRADES

45° Soft Close Door
Prepped for Glass Door
Matching Interior

Note: Matching Interior & Glass prep not available in Metro Smooth.

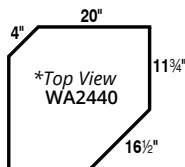
## 40" HIGH ANGLE CORNER WALL



Right Hinge Shown

### SKU

WA2440 (L/R)	12"D
--------------	------



\*Top View  
WA2440

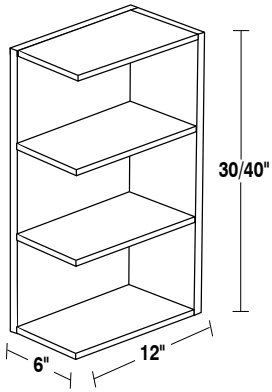
### Standard Features

- Adjustable Shelf (x3)
- 5/8" Back Panel

### UPGRADES

45° Soft Close Door
Prepped for Glass Door
Matching Interior

Note: Matching Interior & Glass prep not available in Inspire, Metro Smooth, Urban High Gloss, or Pembroke door styles.



**SKU**

CS-WESC1206-30-

CS-WESC1206-36-

CS-WESC1206-40-

**WH**=White

**AW**=Antique White

**CP**=Chocolate Pear

**IAR**=Arctic

**ICS**=Cliffstone

**IBR**=Black River

**SMW**=Metro Smooth

**GW**=Urban High Gloss

**GR**=Dove Grey

**WG**=Willow Grey

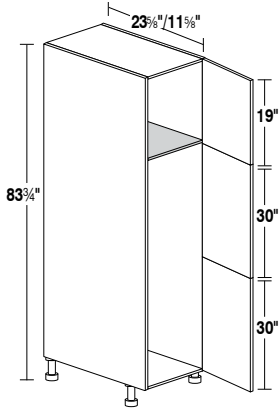
**WSM**=Smooth White

**Standard Features**

- Universal right or left
- Melamine shelf



## 84" HIGH BROOM CABINET



### SKU

UB1584 (L/R)	15"W
UB1884 (L/R)	18"W
UB2484	24"W
UB3084	30"W
UB3384	33"W

\*Add **-12** to SKU to indicate 12"D.

### Standard Features

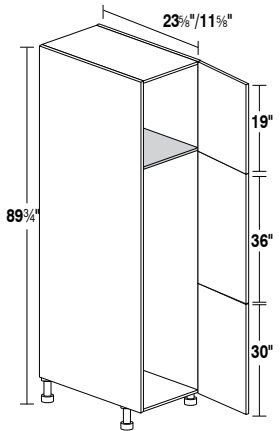
- 1 Fixed Shelf

### UPGRADES

Soft Close Door
-----------------

\*15"-18" wide pantries 3 door single swing,  
24"-33" wide pantries 6 door double swing

## 90" HIGH BROOM CABINET (SSW / SSD / SSL / SSS / SMW DOORS ONLY.)



### SKU

UB1590 (L/R)	15"W
UB1890 (L/R)	18"W
UB2490	24"W
UB3090	30"W
UB3390	33"W

\*Add **-12** to SKU to indicate 12"D.

### Standard Features

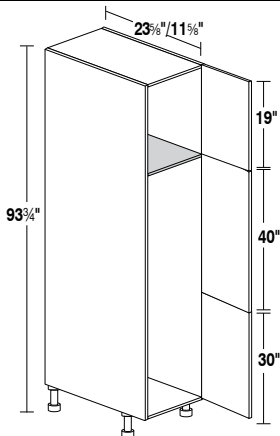
- 1 Fixed Shelf

### UPGRADES

Soft Close Door
-----------------

\*15"-18" wide pantries 3 door single swing,  
24"-33" wide pantries 6 door double swing

## 94" HIGH BROOM CABINET



### SKU

UB1594 (L/R)	15"W
UB1894 (L/R)	18"W
UB2494	24"W
UB3094	30"W
UB3394	33"W

\*Add **-12** to SKU to indicate 12"D.

### Standard Features

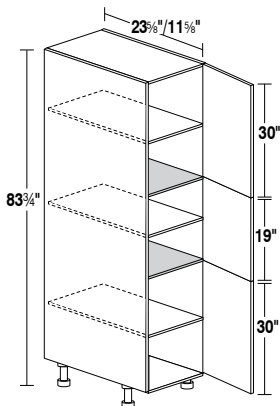
- 1 Fixed Shelf

### UPGRADES

Soft Close Door
-----------------

\*15"-18" wide pantries 3 door single swing,  
24"-33" wide pantries 6 door double swing

## 84" HIGH PANTRY CABINET



### SKU

UP1584 (L/R)	15"W
UP1884 (L/R)	18"W
UP2484	24"W
UP3084	30"W
UP3384	33"W

\*Add **-12** to SKU to indicate 12"D.

### Standard Features

- Fixed Shelf (x2)
- Full Depth Adjustable Shelf (x3) \*22 7/8" D
- NOTE: 2 adjustable shelves in cabs with Roll Out
- Rollout location predetermined
- Rollouts not available in 12" Depth

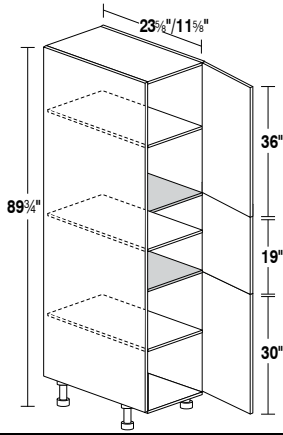
### UPGRADES

Soft Close Door
Metabox Rollout (x4)

\*15"-18" wide pantries 3 door single swing,  
24"-33" wide pantries 6 door double swing



## 90" HIGH PANTRY CABINET (SSW / SSD / SSL / SSS / SMW DOORS ONLY.)



### SKU

UP1590 (L/R)	15"W
UP1890 (L/R)	18"W
UP2490	24"W
UP3090	30"W
UP3390	33"W

### Standard Features

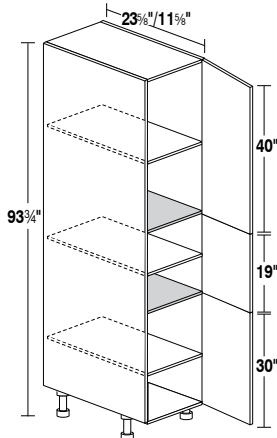
- Fixed Shelf (x2)
- Full Depth Adjustable Shelf (x3)
- NOTE: 2 adjustable shelves in cabs with Roll Out
- Rollout location predetermined
- Rollouts not available in 12" Depth

### UPGRADES

Soft Close Door
Metabox Rollout (x4)

*\*15"-18" wide pantries 3 door single swing,  
24"-33" wide pantries 6 door double swing*

## 94" HIGH PANTRY CABINET



### SKU

UP1594 (L/R)	15"W
UP1894 (L/R)	18"W
UP2494	24"W
UP3094	30"W
UP3394	33"W

*\*Add -12 to SKU to indicate 12"D.*

### Standard Features

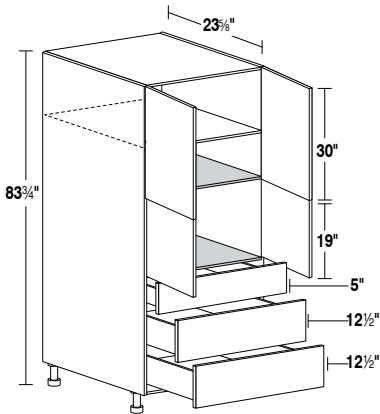
- Fixed Shelf (x2)
- Full Depth Adjustable Shelf (x3)
- NOTE: 2 adjustable shelves in cabs with Roll Out
- Rollout location predetermined
- Rollouts not available in 12" Depth

### UPGRADES

Soft Close Door
Metabox Rollout (x4)

*\*15"-18" wide pantries 3 door single swing,  
24"-33" wide pantries 6 door double swing*

## 84" HIGH UTILITY HUTCH CABINET



### SKU

UH1884 (L/R)	18"W
UH2484	24"W
UH3084	30"W
UH3384	33"W

*\*Double door Cabinet Shown  
\*18" wide pantries 2 door single swing,  
24"-33" wide pantries 4 door double swing*

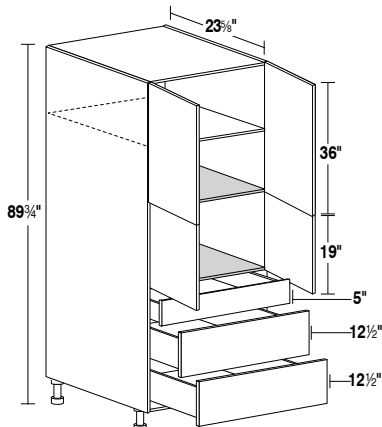
### Standard Features

- Metabox Drawers
- Fixed Shelf (x2)
- Full Depth Adjustable Shelf (x2)
- NOTE: 2 adjustable shelves in cabs without Roll Outs
- Rollout locations are predetermined

### UPGRADES

Soft Close Doors
Soft Close Metabox Drawers
Metabox Rollout (x2)
Interio Drawer (x3)

## 90" HIGH UTILITY HUTCH CABINET (SSW / SSD / SSL / SSS / SMW DOORS ONLY.)



### SKU

UH1890 (L/R)	18"W
UH2490	24"W
UH3090	30"W
UH3390	33"W

*\*18" wide pantries 2 door single swing,  
24"-33" wide pantries 4 door double swing*

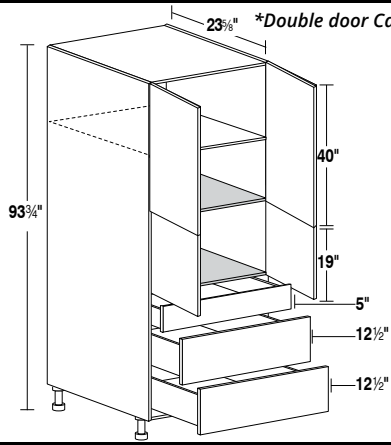
### Standard Features

- Metabox drawers
- Fixed Shelf (x2)
- Full Depth Adjustable Shelf (x1)
- NOTE: 2 adjustable shelves in cabs without Roll Outs
- Rollout locations are predetermined

### UPGRADES

Soft Close Doors
Soft Close Metabox Drawers
Metabox Rollout (x2)
Interio Drawer (x3)

## 94" HIGH UTILITY HUTCH CABINET



### SKU

UH1894 (L/R)	18"W
UH2494	24"W
UH3094	30"W
UH3394	33"W

*\*18" wide pantries 2 door single swing,  
24"-33" wide pantries 4 door double swing*

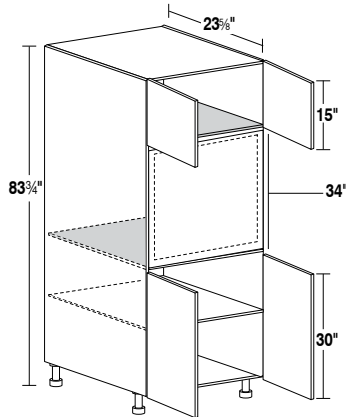
### Standard Features

- Metabox drawers
- Fixed Shelf (x2)
- Full Depth Adjustable Shelf (x1)
- NOTE: 2 adjustable shelves in cabs without Roll Outs
- Rollout locations are predetermined

### UPGRADES

Soft Close Doors
Soft Close Metabox Drawers
Metabox Rollout (x2)
Interio Drawer (x3)

## 84" HIGH SINGLE OVEN CABINET



### SKU

OS3384	33"W
--------	------

*\*Additional reinforcement/materials are recommended to be added at the time of installing any appliance to this cabinet. Please refer to the Manufacturers specs regarding installation requirements of any appliances.*

### Standard Features

- Full Depth Adjustable shelf (x1)
- Full Depth Fixed Shelf (x2)
- Field cut panel - Requires L bracket (not included)
- Panel is 33"W x 35 1/4" (893mm)
- Max cutout is 28"W X 29"H
- Rollout locations are predetermined
- Appliance support not available

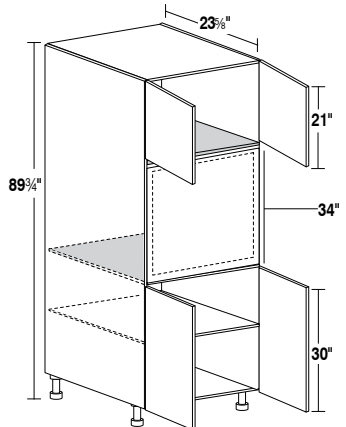
*\*Edgetape sold separately*

*\*Rollouts installed in bottom*

### UPGRADES

Soft Close Doors
Metabox Rollout (x2)

## 90" HIGH SINGLE OVEN CABINET (SSW / SSL / SSS / SMW DOORS ONLY.)



### SKU

OS3390	33"W
--------	------

*\*Additional reinforcement/materials are recommended to be added at the time of installing any appliance to this cabinet. Please refer to the Manufacturers specs regarding installation requirements of any appliances.*

### Standard Features

- Full Depth Adjustable shelf (x1)
- Full Depth Fixed Shelf (x2)
- Field cut panel - Requires L bracket (not included)
- Panel is 33"W x 35 1/4" (893mm)
- Max cutout is 28"W X 29"H
- Rollout locations are predetermined
- Appliance support not included

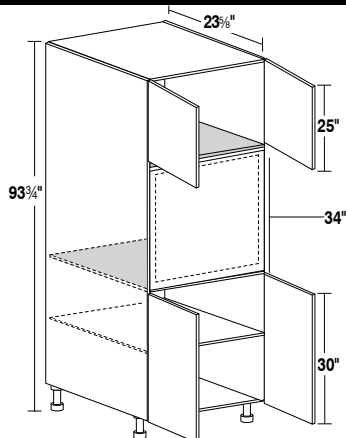
*\*Edgetape sold separately*

*\*Rollouts installed in bottom*

### UPGRADES

Soft Close Doors
Metabox Rollout (x2)

## 94" HIGH SINGLE OVEN CABINET



### SKU

OS3394	33"W
--------	------

*\*Additional reinforcement/materials are recommended to be added at the time of installing any appliance to this cabinet. Please refer to the Manufacturers specs regarding installation requirements of any appliances.*

### Standard Features

- Full Depth Adjustable shelf (x1)
- Full Depth Fixed Shelf (x2)
- Field cut panel - Requires L bracket (not included)
- Panel is 33"W x 35 1/4" (893mm)
- Max cutout is 28"W X 29"H
- Rollout locations are predetermined
- Appliance support not available

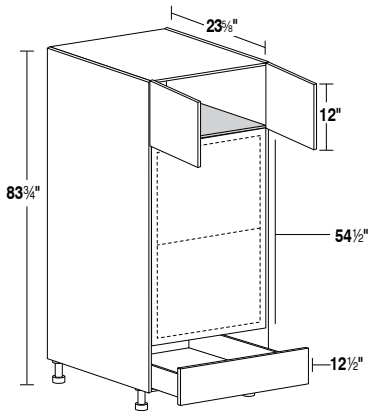
*\*Edgetape sold separately*

*\*Rollouts installed in bottom*

### UPGRADES

Soft Close Doors
Metabox Rollout (x2)

## 84" HIGH DOUBLE OVEN CABINET



**SKU**

OD3384      33"W

*\*Additional reinforcement/materials are recommended to be added at the time of installing any appliance to this cabinet. Please refer to the Manufacturers specs regarding installation requirements of any appliances.*

**Standard Features**

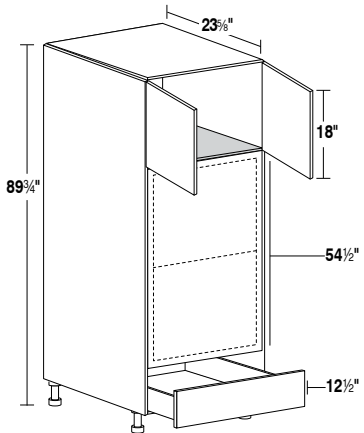
- Metabox Drawer
- Full Depth Fixed Shelf (x2)
- Field cut panel - Requires L bracket (not included)
- Panel is 33"W X 54 1/2"H
- Max cutout is 29"W X 49"H
- Appliance support not included

*\*Edgetape sold separately*

**UPGRADES**

Soft Close Doors
Soft Close Drawer
Interio Drawer (x1)

## 90" HIGH DOUBLE OVEN CABINET (SSW / SSD / SSL / SSS / SMW DOORS ONLY.)



**SKU**

OD3390      33"W

*\*Additional reinforcement/materials are recommended to be added at the time of installing any appliance to this cabinet. Please refer to the Manufacturers specs regarding installation requirements of any appliances.*

**Standard Features**

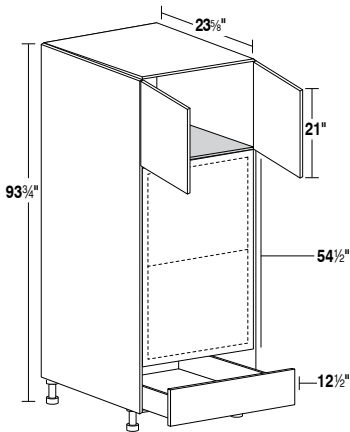
- Metabox Drawer
- Full Depth Fixed Shelf (x2)
- Field cut panel - Requires L bracket (not included)
- Panel is 33"W X 54 1/2"H
- Max cutout is 29"W X 49"H
- Appliance support not included

*\*Edgetape sold separately*

**UPGRADES**

Soft Close Doors
Soft Close Drawer
Interio Drawer (x1)

## 94" HIGH DOUBLE OVEN CABINET



**SKU**

OD3394      33"W

*\*Additional reinforcement/materials are recommended to be added at the time of installing any appliance to this cabinet. Please refer to the Manufacturers specs regarding installation requirements of any appliances.*

**Standard Features**

- Metabox Drawer
- Full Depth Fixed Shelf (x2)
- Field cut panel - Requires L bracket (not included)
- Panel is 33"W X 54 1/2"H
- Max cutout is 29"W X 49"H
- Appliance support not included

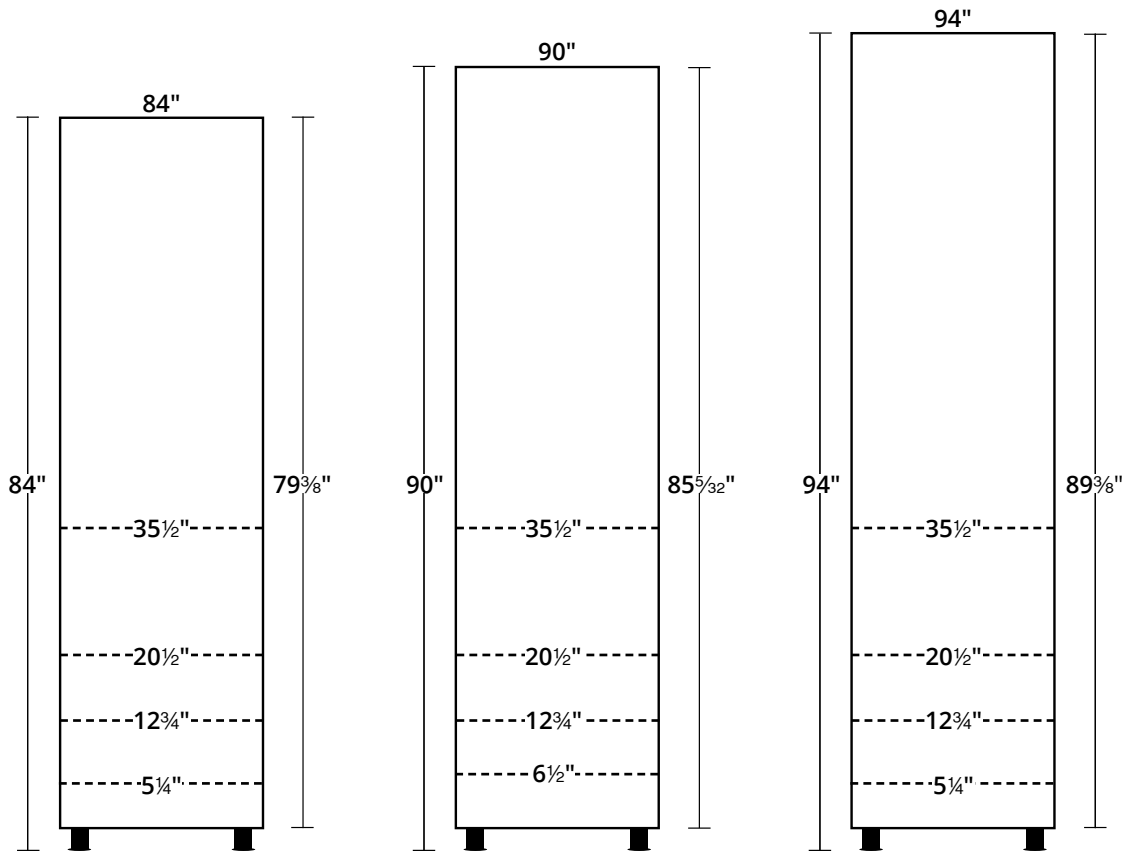
*\*Edgetape sold separately*

**UPGRADES**

Soft Close Doors
Soft Close Drawer
Interio Drawer (x1)

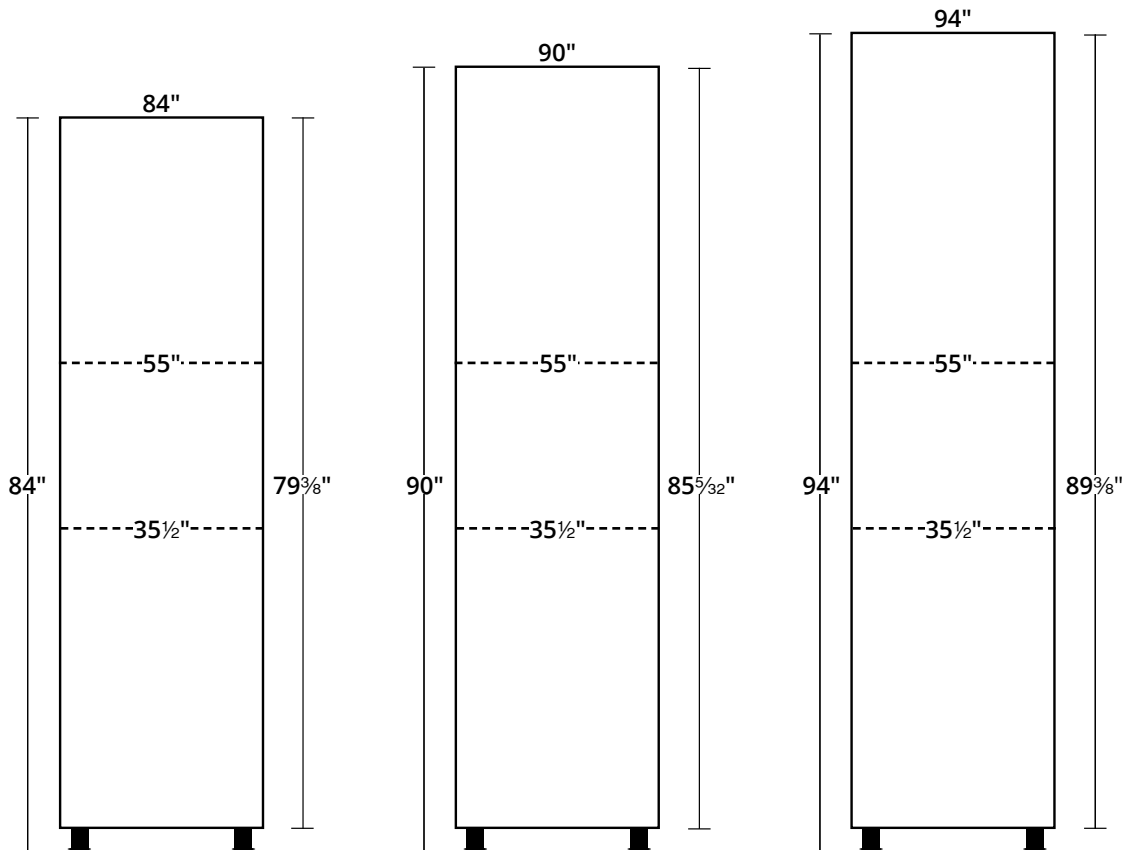
# ROLL-OUT LOCATION GUIDE

## PANTRY CABINETS WITH FOUR ROLL-OUTS (84" / 90" / 94")



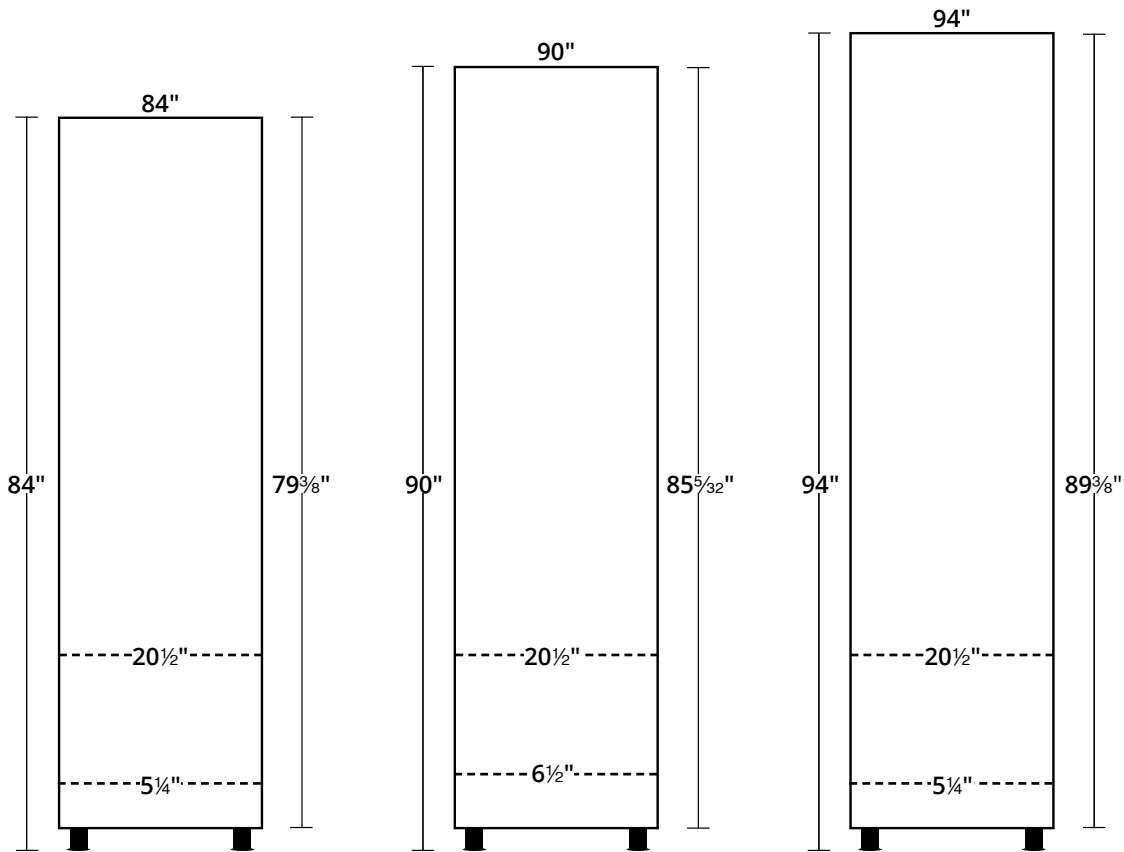
**NOTE:**  
Roll-out locations are measured up from the base of the gable.

## HUTCH CABINETS WITH TWO ROLL-OUTS (84" / 90" / 94")

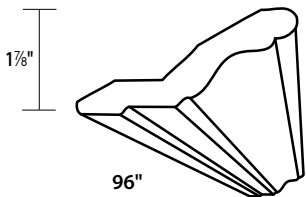


**NOTE:**  
Roll-out locations are measured up from the base of the gable.

## SINGLE OVEN CABINET WITH TWO ROLL-OUTS (84" / 90" / 94")



## CROWN MOULDING



### SKU

CS-SMCROWN-

*\*White accessory available, but will have different texture than SMW and SSS door styles.*

*\*Integrated cleat/nailing strip (top mount)*

**NOTE:** Crown cannot be used with 40"H uppers and 8' ceilings.

### Melamine/Vinyl (Select Series)

WH=White

AW=Antique White

CP=Chocolate Pear

IAR=Arctic

ICS=Cliffstone

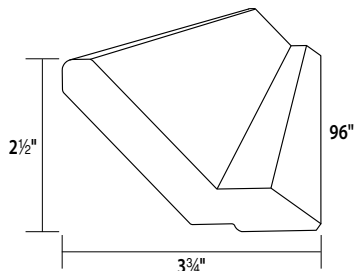
IBR=Black River

GR=Dove Grey

WG=Willow Grey

WSM=Smooth White

## SHAKER CROWN



### SKU

CS-SHKRCROWN-

*\*WSM can be used for SSS & SMW door styles.*

*\*Integrated cleat/nailing strip (Undermount)*

**NOTE:** Crown cannot be used with 40"H uppers and 8' ceilings.

### Melamine/Vinyl (Select Series)

WH=White

AW=Antique White

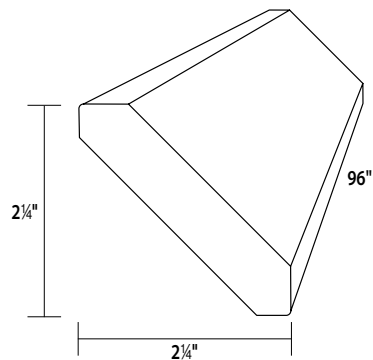
CP=Chocolate Pear

GR=Dove Grey

WG=Willow Grey

WSM=Smooth White

## FACEMOUNT SHAKER



### SKU

CS-FMSHKRCROWN-

*\*WSM can be used for SSS & SMW door styles.*

*\*No cleat/nailing strip (Surface mount)*

### Melamine/Vinyl (Select Series)

WH=White

AW=Antique White

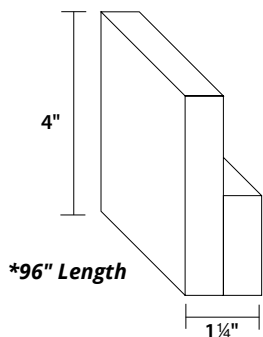
CP=Chocolate Pear

GR=Dove Grey

WG=Willow Grey

WSM=Smooth White

## FACEMOUNT STARTER MOULDING (MELAMINE)



### SKU

CS-IMSM4-

*\*WH has smooth texture and can be used with all white door styles.*

*\*WSM can be used for SSS & SMW door styles.*

### Melamine/Vinyl (Select Series)

WH=White

AW=Antique White

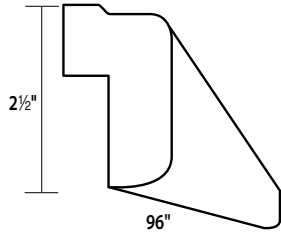
CP=Chocolate Pear

GR=Dove Grey

WG=Willow Grey

WSM=Smooth White

**LIGHT VALANCE**



*\*Integrated cleat/nailing strip (top mount)*

SKU  
CS-VALANCE-

*\*WSM can be used for SSS & SMW door styles.*

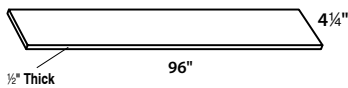
**Melamine/Vinyl (Select Series)**

- WH=White
- AW=Antique White
- CP=Chocolate Pear
- IAR=Arctic
- ICS=Cliffstone
- IBR=Black River
- WG=Willow Grey
- GR=Dove Grey
- WSM=Smooth White

**TOE KICK**

SKU  
CS-96TK-

*\*For comfort height vanities & kitchens  
\*No finished edges*



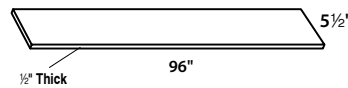
**Melamine/Vinyl (Select Series)**

- WH=White
- AW=Antique White
- CP=Chocolate Pear
- IAR=Arctic
- ICS=Cliffstone
- IBR=Black River
- WG=Willow Grey
- GR=Dove Grey
- GW=High Gloss White

**VANITY TOE KICK**

SKU  
CS-96VK-

*\*For standard height vanities (30 1/2" H)  
\*No finished edges*

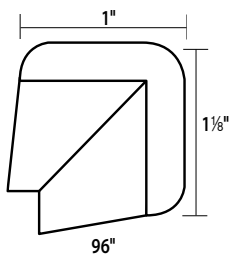


**Melamine/Vinyl (Select Series)**

- WH=White
- AW=Antique White
- CP=Chocolate Pear
- IAR=Arctic
- ICS=Cliffstone
- IBR=Black River
- WG=Willow Grey
- GR=Dove Grey

*\*White accessory available, but will have different texture than SMW and SSS door styles.*

**OUTSIDE MOULDING**



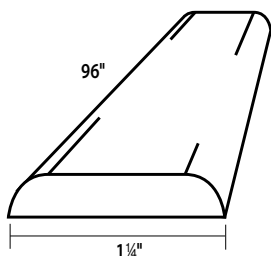
SKU  
CS-OUTCORNER-

*\*White accessory available, but will have different texture than SMW and SSS door styles.*

**Melamine/Vinyl (Select Series)**

- WH=White
- AW=Antique White
- CP=Chocolate Pear
- IAR=Arctic
- ICS=Cliffstone
- IBR=Black River
- WG=Willow Grey
- GR=Dove Grey

**BATTEN MOULDING**



SKU  
CS-BATTEN-

*\*White accessory available, but will have different texture than SMW and SSS door styles.*

**Melamine/Vinyl (Select Series)**

- WH • =White
- AW • =Antique White
- CP • =Chocolate Pear
- IAR=Arctic
- ICS=Cliffstone
- IBR=Black River
- WG=Willow Grey
- GR=Dove Grey

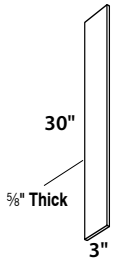
**NOTE: Colours above marked with • come in 1-3/4"W only.**

# ACCESSORIES

## FILLER STRIP -30"

### SKU

CS-30FILLER-



*\*No finished edges*

### Melamine/Vinyl (Select Series)

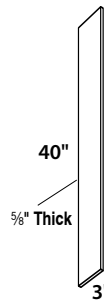
- WH=White
- AW=Antique White
- CP=Chocolate Pear
- IAR=Arctic (Horizontal Grain)
- ICS=Cliffstone (Horizontal Grain)
- IBR=Black River (Horizontal Grain)
- WG=Willow Grey
- GR=Dove Grey
- GW=High Gloss White

*\*White accessory available, but will have different texture than SMW and SSS door styles.*

## FILLER STRIP -40"

### SKU

CS-40FILLER-



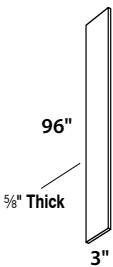
### Melamine/Vinyl (Select Series)

- WH=White
- AW=Antique White
- CP=Chocolate Pear
- IAR=Arctic (Horizontal Grain)
- ICS=Cliffstone (Horizontal Grain)
- IBR=Black River (Horizontal Grain)
- WG=Willow Grey
- GR=Dove Grey
- GW=High Gloss White

## FLAT FILLER -96"

### SKU

CS-96FILLER-



*\*No finished edges*

### Melamine/Vinyl (Select Series)

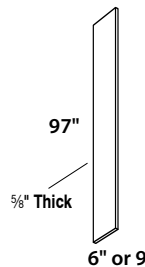
- WH=White
- AW=Antique White
- CP=Chocolate Pear
- IAR=Arctic (Horizontal Grain)
- ICS=Cliffstone (Horizontal Grain)
- IBR=Black River (Horizontal Grain)
- WG=Willow Grey
- GR=Dove Grey
- GW=High Gloss White

*\*White accessory available, but will have different texture than SMW and SSS door styles.*

## STARTER STRIP/FREEZEBOARD FILLER

### SKU

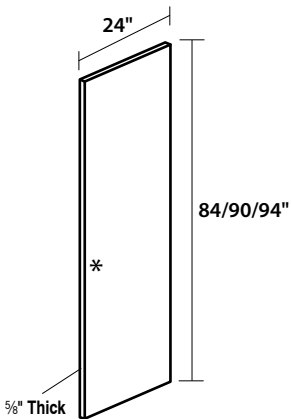
CS-97X6FB-  
CS-97X9FB-



### Melamine/Vinyl (Select Series)

WH=White

## REFRIGERATOR PANELS (84" / 90" / 94" HEIGHT)



### SKU

CS-FRIDGE84-  
CS-FRIDGE90-  
CS-FRIDGE94-

### Melamine/Vinyl (Select Series)

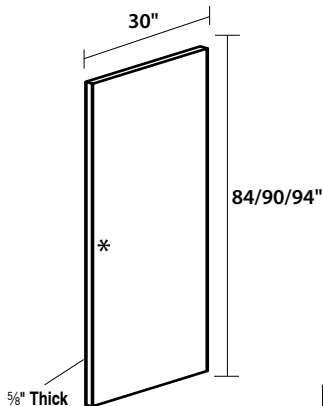
- WH=White
- AW=Antique White
- CP=Chocolate Pear
- IAR=Arctic
- ICS=Cliffstone
- IBR=Black River
- GR=Dove Grey
- WG=Willow Grey
- GW=Urban High Gloss

### Standard Features

- Both sides finished
- Front vertical edge finished
- Vertical Grain pattern for Inspire Panels

*\*White accessory available, but will have different texture than SMW and SSS door styles.*

## REFRIGERATOR PANEL 30" DEEP (84" / 94" HEIGHT)



### SKU

CS-FRIDGE8430-  
CS-FRIDGE9030-  
CS-FRIDGE9430-

### Melamine/Vinyl (Select Series)

- WH=White
- AW=Antique White
- CP=Chocolate Pear
- IAR=Arctic
- ICS=Cliffstone
- IBR=Black River
- GR=Dove Grey
- WG=Willow Grey
- GW=Urban High Gloss

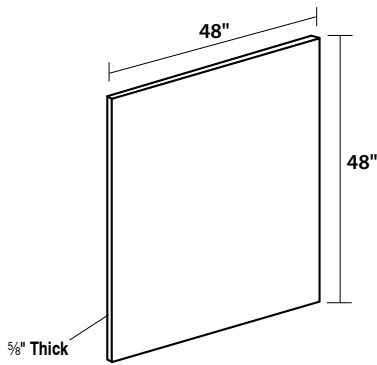
### Standard Features

- Both sides finished
- Front vertical edge finished
- Vertical Grain pattern for Inspire Panels

*\*White accessory available, but will have different texture than SMW and SSS door styles.*



**ISLAND PANEL**



**SKU**  
CS-ISLAND48-

**Melamine/Vinyl (Select Series)**

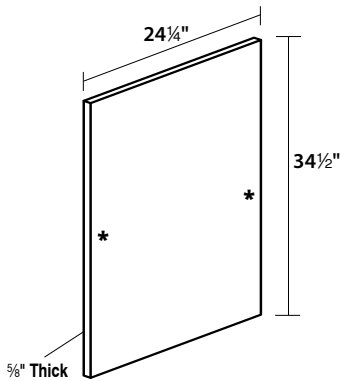
- WH=White
- AW=Antique White
- CP=Chocolate Pear
- IAR=Arctic (Horizontal Grain)
- ICS=Cliffstone (Horizontal Grain)
- IBR=Black River (Horizontal Grain)
- WG=Willow Grey
- GR=Dove Grey
- GW=High Gloss White

**Standard Features**

- Both sides are finished
- All edges are finished

*\*White accessory available, but will have different texture than SMW and SSS door styles.*

**DISHWASHER PANEL**



*\*shows finished edges*

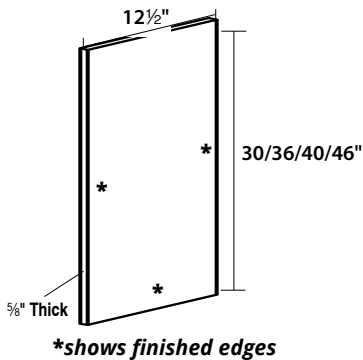
**SKU**  
CS-DWPANEL-

**Melamine/Vinyl (Select Series)**

- WH=White
- AW=Antique White
- CP=Chocolate Pear
- IAR=Arctic (Horizontal Grain)
- ICS=Cliffstone (Horizontal Grain)
- IBR=Black River (Horizontal Grain)
- WG=Willow Grey
- GR=Dove Grey
- GW=High Gloss White

*\*White accessory available, but will have different texture than SMW and SSS door styles.*

**WALL END PANEL -12" DEEP (30" / 36" / 40" / 46" HEIGHT)**



*\*shows finished edges*

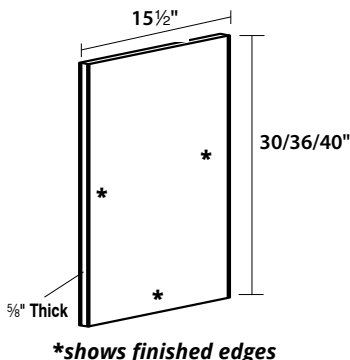
**SKU**  
CS-WEP1230-  
CS-WEP1236-  
CS-WEP1240-  
CS-WEP12.546-

**Melamine/Vinyl (Select Series)**

- WH=White
- AW=Antique White
- CP=Chocolate Pear
- IAR=Arctic
- ICS=Cliffstone
- IBR=Black River
- GR=Dove Grey
- WG=Willow Grey
- GW=Urban High Gloss

*\*White accessory available, but will have different texture than SMW and SSS door styles.*

**WALL END PANEL -15" DEEP (30" / 36" / 40" HEIGHT)**



*\*shows finished edges*

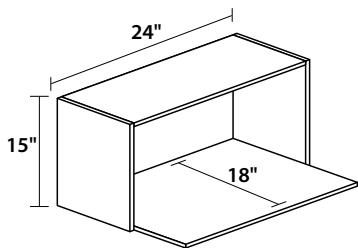
**SKU**  
CS-WEP1530-  
CS-WEP1536-  
CS-WEP1540-

**Melamine/Vinyl (Select Series)**

- WH=White
- AW=Antique White
- CP=Chocolate Pear
- IAR=Arctic
- ICS=Cliffstone
- IBR=Black River
- GR=Dove Grey
- WG=Willow Grey

*\*White accessory available, but will have different texture than SMW and SSS door styles.*

## MICROWAVE SHELF



**SKU**  
CS-MS2415-

### Melamine/Vinyl (Select Series)

**WH**=White

**AW**=Antique White

**CP**=Chocolate Pear

**IAR**=Arctic

**ICS**=Cliffstone

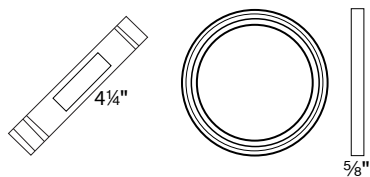
**IBR**=Black River

**WG**=Willow Grey

**GR**=Dove grey

*\*White accessory available, but will have different texture than SMW and SSS door styles.*

## FINISHING MATERIALS (TOUCH UP CRAYON / EDGETAPE)



### SKU

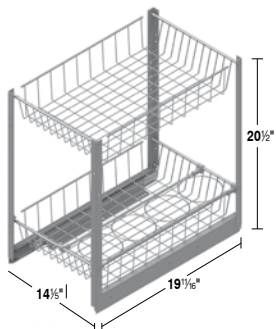
Touch up Crayon CS-CRAYON

Iron-on Edge Tape (5/8") CS-EDGETAPE

Peel and Stick Edge Tape (1 5/16") CS-EDGETAPE-PSC

**Note: Urban High Gloss, and Inspire edgetape is \$3/ft. Not available in Metro Smooth White.**

## 2 BASKET WITH BOTTLE HOLDER



### SKU

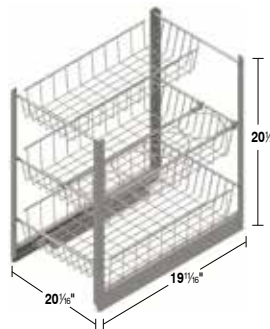
CS-S2103

#### Designed For Use In

- **BH18** Full Height Base Cabinet
- **BD18** 1 Door/1 Drawer Base Cabinet
- **UP1884** 18" Wide Pantry (without Rollouts)
- **UP1890** 18" Wide Pantry (without Rollouts)
- **UP1894** 18" Wide Pantry (without Rollouts)

**Note: Accessory is not installed, shipped separately.**

## 3 BASKET WITH BOTTLE HOLDER



### SKU

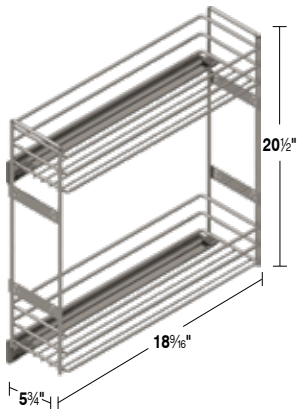
CS-S2126

#### Designed For Use In

- **BH24** Full Height Base Cabinet
- **BD24** 1 Door/1 Drawer Base Cabinet
- **UP2484** 24" Wide Pantry (without Rollouts)
- **UP2490** 24" Wide Pantry (without Rollouts)
- **UP2494** 24" Wide Pantry (without Rollouts)

**Note: Accessory is not installed, shipped separately.**

## UNIVERSAL RACK (SPICES & DETERGENTS)



### SKU

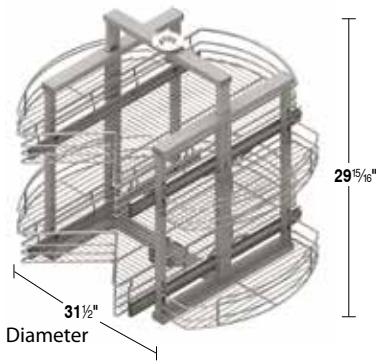
CS-S2213

#### Designed For Use In

- **BH09** Full Height Base Cabinet

**Note: Accessory is not installed, shipped separately.**

TURNING BASKET WITH RAILS



**SKU**  
CS-S3041

**Designed For Use In**

- **BE36** Easy Reach Corner Cabinet

**Note: Accessory is not installed, shipped separately.**

WIRE LAZY SUSAN



33" = 29 5/8" Diameter x 29 15/16" Height  
36" = 32 1/16" Diameter x 29 15/16" Height

**SKU**  
.CS-LSW33  
.CS-LSW36

**Designed For Use In**

- .CS-LSW33:**
- **BE33** Easy Reach Corner Cabinet
  - **BE33-36** Offset Easy Reach Corner Cabinet
  - **BE36-33** Offset Easy Reach Corner Cabinet
- .CS-LSW36:**
- **BE36** Easy Reach Corner Cabinet

**Note: Accessory ships installed. Can also be ordered uninstalled separately.**

P.V.C LAZY SUSAN

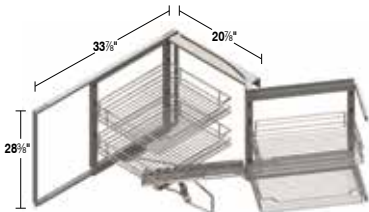


**SKU**  
.CS-P24K30  
.CS-P28K30

**Designed For Use In**

- .CS-P24K30:**
- **BE33** Easy Reach Corner Cabinet
  - **BE33-36** Offset Easy Reach Corner Cabinet
  - **BE36-33** Offset Easy Reach Corner Cabinet
- .CS-P28K30:**
- **BE36** Easy Reach Corner Cabinet

MAGIC CORNER



\*Right hand shown.

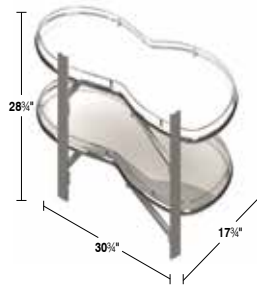
**SKU**  
CS-S3001  
CS-S3002

**Designed For Use In**

- CS-S3001:**
- **BBH45/48R** Blind Corner Cabinet
- CS-S3002:**
- **BBH45/48L** Blind Corner Cabinet

**Note: Accessory ships installed. Can also be ordered uninstalled separately.**

KIDNEY MAGIC CORNER

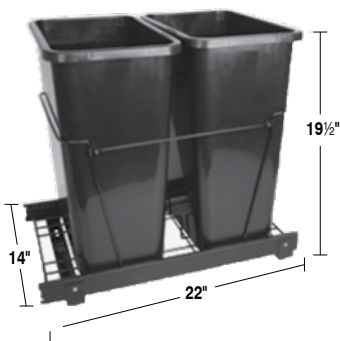


**SKU**  
CS-S3013  
CS-S3014

**Designed For Use In**

- CS-S3013:**
- **BBH45/Blind** Corner Cabinet
- CS-S3014:**
- **BBH45/Blind** Corner Cabinet

DUAL GARBAGE CAN SYSTEM



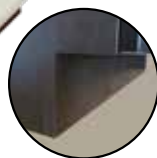
**SKU**  
CS-WB-BLK  
CS-WB-BLK-DOORKIT

**Designed For Use In**

- CS-WB-BLK:**
- Any 18" W Base Cabinet
- CS-WB-BLK-DOORKIT:**
- A Door mounting kit designed for the CS-WB-BLK only

**Note: Accessory is not installed, shipped separately. Each bin has a 35 quartz capacity.**

## SELECT series



INT. COLOUR: *White*  
EXT. SIDES COLOUR: *Colour matched to door*  
VERTICAL EDGE TAPE: *Colour matched to door*  
HORIZONTAL EDGE TAPE: *White*  
CABINET BOTTOM: *Recessed*  
TOEKICK: *Flat*  
STANDARD: *Non-Soft Close Hinges & Non-Soft Close  
Metabox Drawers*

**Custom depths NOT available in Vanities.**

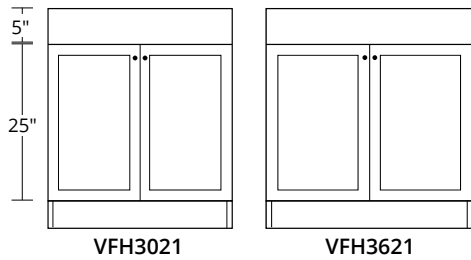
*\*HGW Doorstyle NOT available.*

**Note: Special order vanities are not drilled for hardware (knobs/pulls). These special order vanities have 5" false fronts and will not line up with Quick Ship's 6 <sup>3</sup>/<sub>16</sub>" false fronts.**



## 30" / 36" WIDE (2 DOORS)

### VFH Series 30 / 36" Wide (2 Doors, no Drawers)



SKU	
VFH3021	30"W
VFH3621	36"W

### Standard Features

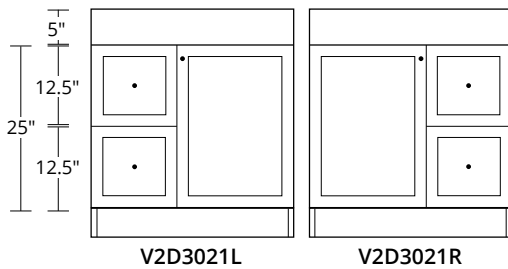
- 34½" Height
- 21" Deep
- Single bowl sink
- Hardware *not* included

### UPGRADES

Soft Close Doors

## 30" WIDE (1 DOOR, 2 DRAWERS)

### V2D Series 30" Wide (1 Door, 2 Drawers)



SKU	
V2D3021L	30"W
V2D3021R	30"W

*\*Toe kick shipped loose.*

### Standard Features

- 34½" Height
- 21" Deep
- Single bowl sink
- Hardware *not* included

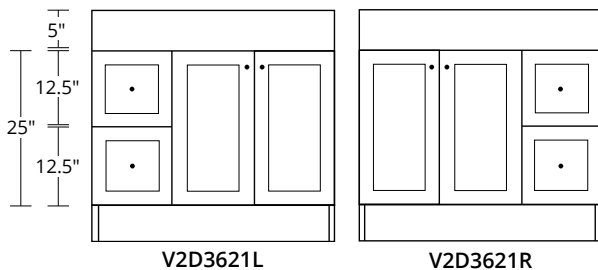
### UPGRADES

Soft Close Doors

Soft Close Metabox Drawers

## 36" WIDE (2 DOORS, 2 DRAWERS)

### V2D Series 36" Wide (2 Doors, 2 Drawers)



SKU	
V2D3621L	36"W
V2D3621R	36"W

*\*Toe kick shipped loose.*

### Standard Features

- 34½" Height
- 21" Deep
- Single bowl sink
- Hardware *not* included

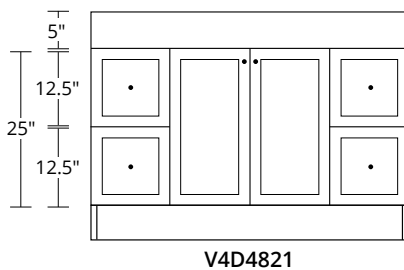
### UPGRADES

Soft Close Doors

Soft Close Metabox Drawers

## 48" WIDE (2 DOORS, 4 DRAWERS)

### V4D Series 48" Wide (2 Doors, 4 Drawers)



SKU	
V4D4821	48"W

*\*Toe kick shipped loose.*

### Standard Features

- 34½" Height
- 21" Deep
- Single bowl sink
- Hardware *not* included

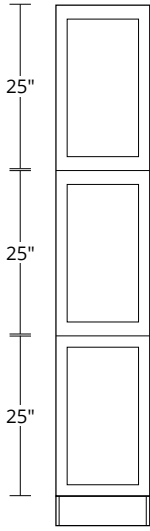
### UPGRADES

Soft Close Doors

Soft Close Metabox Drawers

## 15" WIDE LINEN TOWER

### VL Series 15" Wide (3 Doors)



VL1580

#### SKU

VL1580      15"W

*\*Toe kick shipped loose.*

**Note:** *Linen Tower is available in all Select series colours, please refer to page 3.*

#### Standard Features

- 80" Height
- 21" Deep
- Hardware *not* included

#### UPGRADES

Soft Close Doors

## Vanity Top Information *\*Call for pricing and availability, or visit us @ [www.cabinetsmith.ca](http://www.cabinetsmith.ca)*

Contempo  
Cultured Marble  
White  
4" ctr.



Contempo  
Engineered Stone  
Frost Matte  
4" ctr.



### Cultured Marble

Contempo vanity tops offer the stylish look you need to complete your vanity. Finished in Solid White or Frost Matte, each top has a square bowl with a built in over flow and comes pre-drilled for 4" faucets.

*Available in 31"W / 37"W / 49"W / 61"W Single / 61"W Double. All tops are 22" depth.*



Includes:  
Rectangular under  
mount porcelain bowl  
with an eased edge.

### Granite

Cabinetsmith Granite Vanity Tops are manufactured from among the finest granite available that are heat resistant and tougher than most common countertop options.

*Available in 31"W / 37"W / 43"W / 49"W / 61"W Single / 61"W Double. All tops are 22" depth. Single & double bowls are available with standard depth of 22-1/4". Backsplash pieces are included. Sidesplash pieces (212"L x 4 1/16"H x 5/8"W) sold separately.*

### Quartz

Ocean Grey  
Single Hole  
(Q1002)



Carrara White  
Single Hole  
(Q1007)



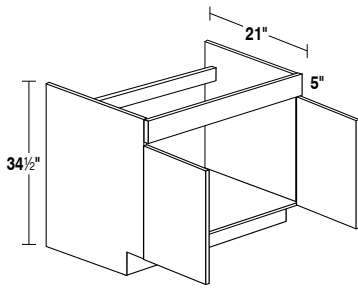
Porcelain White  
Single Hole  
(Q3007)



Our Prism Quartz Vanity Tops are fabricated from tough quartz aggregate, creating a surface that is harder and more scratch resistant than granite.

*Available in 31"W / 37"W / 43"W / 49"W / 61"W Single / 61"W Double. All tops are 22" depth. Single & double bowls are available with standard depth of 22-1/4". Backsplash pieces are included. Sidesplash pieces (212"L x 4 1/16"H x 5/8"W) sold separately.*

## SINK BASE VANITY



SKU	
VFH2421	24"W
VFH2721	27"W
VFH3021	30"W
VFH3321	33"W
VFH3621	36"W

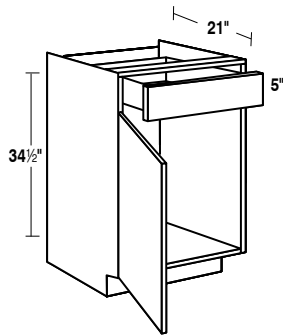
### Standard Features

- 21" Depth
- 34½" Height
- No Shelf
- No Back Panel
- White Interior

### UPGRADES

Soft Close Doors

## SINGLE DRAWER / DOOR BASE CAB VANITY



SKU	
VDD1221 (L/R)	12"W
VDD1521 (L/R)	15"W
VDD1821 (L/R)	18"W

### Standard Features

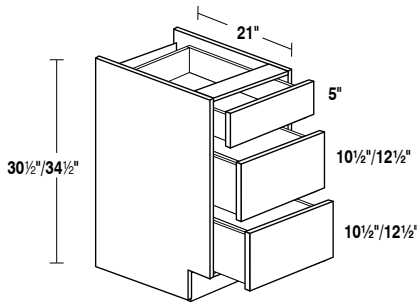
- 21" Depth
- 34½" Height
- No Shelf
- No Back Panel
- White Interior

### UPGRADES

Soft Close Doors

Soft Close Metabox Drawer

## 3 DRAWER BASE CAB (30" / 40")



SKU - 30½"H	
VDB1221-3-30	12"W
VDB1521-3-30	15"W
VDB1821-3-30	18"W
SKU - 34½"H	
VDB1221-3	12"W
VDB1521-3	15"W
VDB1821-3	18"W

### Standard Features

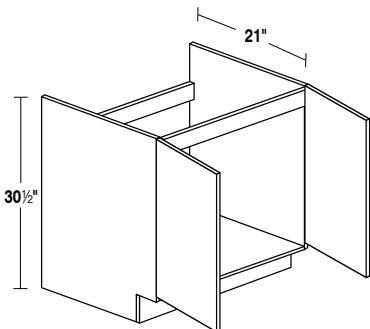
- 21" Depth
- White Interior

### UPGRADES

Soft Close Metabox Drawer

**NOTE:** *Toekick not included with 30" drawer base*

## STANDARD HEIGHT VANITY BASES



SKU	
VF2421-30	24"W
VF2721-30	27"W
VF3021-30	30"W
VF3321-30	33"W
VF3621-30	36"W
VF4221-30	42"W

### Standard Features

- 21" Depth
- 30½" Height
- 5½" Toe space
- No Shelf
- White Interior
- Toekick not included (Refer to CS-96VK)

### UPGRADES

Soft Close Doors

**NOTE:** *Standard Height Vanity Bases are not suitable with Cabinetsmith Linen Towers*

## CABINETSMITH TERMS & CONDITIONS

### TERMS

Cabinetsmith's terms are NET 30 DAYS to accounts with approved credit. All new accounts are COD for first 30 days. Application for credit must include bank and trade references. A 1.5% monthly finance charge will be calculated on ALL OVERDUE ACCOUNTS.

### RETURNS AND CREDIT

There will be no restocking charge for damaged goods, shipping errors, order desk errors or manufacturer defects. We will issue credit notes upon receipt and verification of goods. Call our order desk for a Return Authorization and we will arrange to pick it up, no charge. NOTE: Pictures may be required in the event of defects/damages before a claim can be authorized.

### STOCK

Returns for any other reason for stock items must be in original condition and packaging. A Minimum 20% restocking fee will be applied (minimum charge \$5). This fee is to cover initial order processing, freight out, invoicing, return processing, freight back, handling, and credit issuing. For areas not serviced by CanSave's fleet, dealer is responsible for return freight. Please call the Order Desk or your Sales Representative to discuss your request.

### SPECIAL ORDERS

All kitchen cabinets & vanities are considered special order, as they are "made to order". Please be sure to OBTAIN A DEPOSIT from YOUR customer before placing a special order! Special orders can NOT be returned or cancelled once the manufacturer has processed them! Your purchase order will be considered a binding contract. LEAD TIMES quoted for special orders are approximate. Special orders can NOT be cancelled in the event of an extended lead time. Please be certain that your customers understand this before you place a special order. RETURN AUTHORIZATIONS are valid for 30 days from date of issue. Product not returned within 30 days is dealer's responsibility. OUR DRIVERS ARE UNABLE TO ACCEPT ANY RETURN WITHOUT PROPER PAPERWORK. CanSave is not responsible for any product that comes back without proper authorization.

### CLAIMS

DAMAGE CLAIMS, or claims for MISSING PRODUCT must be made within 48 hours of delivery. Pictures may be required in the event of defects/damages before a claim can be authorized. CONCEALED DAMAGE must be reported within 7 days, and product MUST be returned in original undamaged packaging. Claims for credits due to PRICING ERRORS must be made within 60 days of invoicing.

### WARRANTIES

We will replace any goods and take care of warranty claims for you, as long as it falls within the manufacturer's warranty guidelines. The manufacturers' word is final, and Cabinetsmith does not offer extended or additional warranty coverage. Cabinetsmith does not cover labour charges.

For complete warranty details, please refer to <https://cabinetsmith.ca/wp-content/uploads/2016/10/Cabinetsmith-Warranty-Eng.pdf>

All Warranties are to be submitted online under dealer portal @ [www.cabinetsmith.ca/warranty-requests](http://www.cabinetsmith.ca/warranty-requests)

## CABINETSMITH SERIES COMPARISON CHART

	SELECT	IMPRESSION
DOOR MATERIAL	Thermofoil & Melamine	EcoStyle doors
INTERIOR	White	Maple
EXTERIOR	Melamine Colour matched to door	Melamine Colour matched to door
VERTICAL EDGE TAPE	Colour matched to door	Colour matched to door
HORIZ EDGE TAPE	White	Maple
OVERLAYS REQUIRED?	High Gloss white only	no
WALL CABINET HEIGHTS	30"H, 40"H 36"H in SSW, SSD, SSL, SSS, SMW Only	30"H, 36"H, 40"H
TOP DRAWER HEIGHT	5"H	6-3/16"H
SOFT CLOSE	Available as upcharge	<b>INCLUDED as standard</b> where available
MATCHING INTERIOR WALL CABINETS	Available as upcharge	Available as upcharge
INTERO DRW (Full Ext, SC)	Available as upcharge	N/A
DOVETAIL DRAWER	N/A	Available as upcharge
DRAWER STACKS	Standard Select drawer options	Standard drawer options with 2-Drawer & 4-Drawer
VANITIES	<b>In spec:</b> Special order vanities (Notched Gable, Non-soft close, not drilled) or <b>Quick Ship Page</b> (Full gable side, soft-close, drilled for knob)	See <b>Cabinetsmith Online</b> or Impression Vanity Page

**FOR CURRENT LEAD TIME, GO TO [WWW.CABINETSMITH.CA/LEAD-TIMES-FOR-NEW-ORDERS](http://WWW.CABINETSMITH.CA/LEAD-TIMES-FOR-NEW-ORDERS)**