

IMPRESSION

series

20 Doors - Maple Interiors

Cabinetsmith 
style • quality • affordability

Specification Guide

Digitally Published June 7, 2021



Cabinet Construction

**Contact us for delivery times on multi-unit orders.*



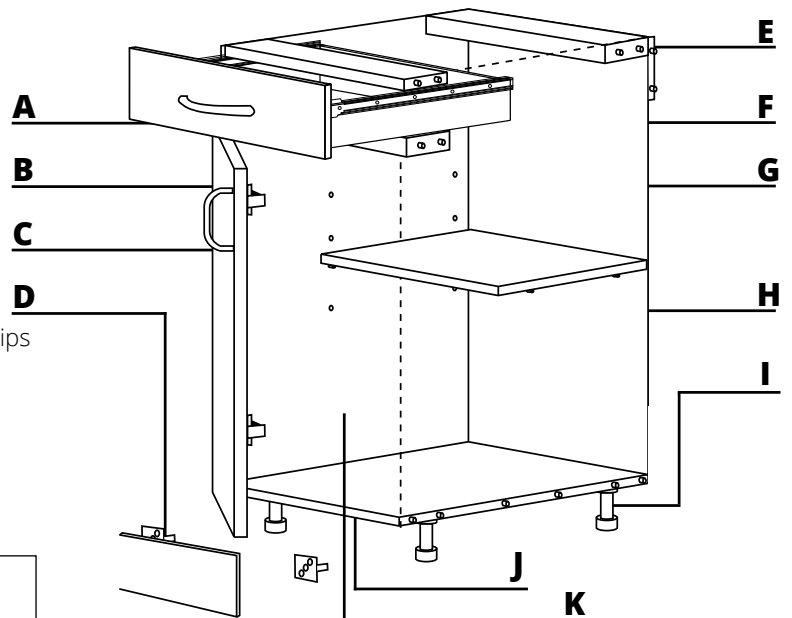
INT. COLOUR: *Maple*
 EXT. SIDES COLOUR: *Melamine colour matched to door*
 VERTICAL EDGE TAPE: *Colour matched to door*
 HORIZONTAL EDGE TAPE: *Maple*
 STANDARD: *Soft Close Hinges & Soft Close Metabox
 Drawers*

Quality Cabinetry

- A** Soft Close Metabox (Epoxy Coated Steel Drawer Sides)
- B** 100% Melamine Interiors
- C** Soft Close Hinges
- D** 5/8" Clip-on Melamine Toekick
- E** 1 1/8" Support Rails (Excluding Drawer Banks)
- F** 1/8" Backing on all Cabinets
- G** 10 3/16" Deep Adjustable Cabinet Shelves 5/8" with locking clips
- H** Dowel and Glue Cabinet Construction
- I** Base Cabinets on Adjustable Leg *Min: 3 3/16" Max: 5 1/4"
- J** Maple horizontal edge to match with interior of cab
- K** Gable Height is 30 1/4" H

***Top drawer/false front is 6 3/16" H.**

Exposed base end cabinets will require repositioning of legs to accommodate toe-kick return or purchase of base end panel.



NOTE: Cabinetsmith dimensions are subject to a +/- 2mm tolerance.

Upgrade to:



Interio Drawer
(full extension, soft close)



Dovetail Drawer
(full extension, soft close)

IMPRESSION series

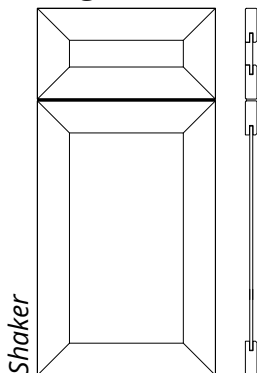
Door Styles



Key Features:

- 99% post industrial recyclable material
- High heat, scratch & stain resistant
- Permanent antibacterial surface

Elegance Shaker



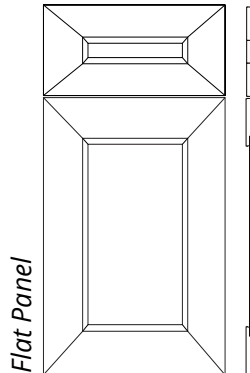
Specifications

- Construction – Mitre, mortise & tenon
- Rail & Stile – 2¼" wide
- Door Panel – ¼" thick
- Drawer front – 5 piece mitre
- Drawer Panel – ¼" thick
- Door Vertical grain centre panel
- Drawer Horizontal grain centre panel

Smooth, Paint like Finishes.

White	NSW
Antique White	NSA
Java	NSJ
Zambukka	NSZ
Fossil	NSF
Ashen	NSQ

Elegance Transitional



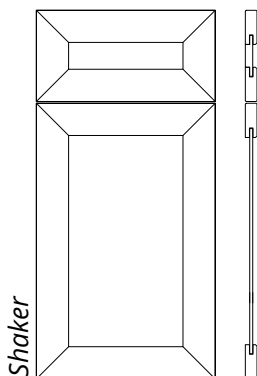
Specifications

- Construction – Mitre, mortise & tenon
- Rail & Stile – 2½" wide
- Door panel – ¼" thick
- Drawer Front – 5 piece mitre
- Drawer Panel – ¼" thick
- Door Vertical grain centre panel
- Drawer Horizontal grain centre panel

Smooth, Paint like Finishes.

White	NTW
Antique White	NTA
Java	NTJ
Zambukka	NTZ
Fossil	NTF
Ashen	NTQ

Canadiana Shaker



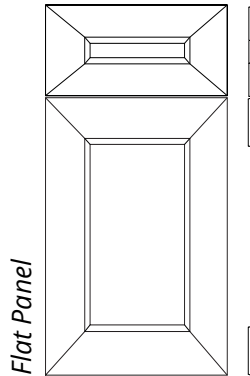
Specifications

- Construction – Mitre, mortise & tenon
- Rail & Stile – 2¼" wide
- Door panel – ¼" thick
- Drawer Front – 5 piece mitre
- Drawer Panel – ¼" thick
- Vertical grain centre panel
- Door Vertical grain centre panel
- Drawer Horizontal grain centre panel

True Wood Textures & Grains.

Whistler	ISW
Jasper	ISJ
Banff	ISB
Canmore	ISC

Canadiana Transitional



Specifications

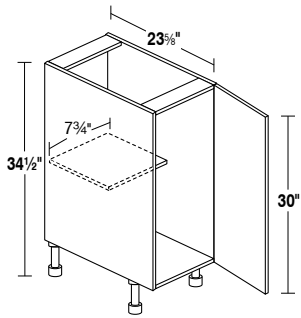
- Construction – Mitre, mortise & tenon
- Rail & Stile – 2½" wide
- Door panel – ¼" thick
- Drawer Front – 5 piece mitre
- Drawer Panel – ¼" thick
- Door Vertical grain centre panel
- Drawer Horizontal grain centre panel
- **NOTE: Linen White doors have a horizontal grain pattern and have plain white melamine gables**

True Wood Textures & Grains.

Whistler	ITW
Jasper	ITJ
Banff	ITB
Canmore	ITC

Maintenance: The surface of ECOSTYLE may be cleaned with a damp cloth, ordinary soap and water, or, if considered necessary, with a general-purpose household cleaner. Using a diluted vinegar solution for general purpose cleaning is suitable. Thoroughly dry the surface with a soft, cotton cloth. More stubborn dirt and greasy fingerprints may be removed with solvents such as Acetone (nail polish remover), methyl ethyl ketone (MEK) (use adequate ventilation, beware of open flame). Acidic, alkaline or abrasive cleaners should not be used because it can damage laminate surfaces. Please note - Do not use lemon Juice because it is acidic.

24" DEEP SINGLE FULL HEIGHT DOOR BASE



SKU

BH09 (L/R)	9"W
BH12 (L/R)	12"W
BH13.5 (L/R)	13.5"W
BH15 (L/R)	15"W
BH16.5 (L/R)	16.5"W
BH18 (L/R)	18"W
BH21 (L/R)	21"W

Standard Features

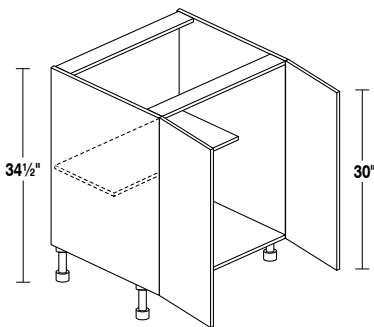
- Half-depth adjustable shelf (x1)
- Minimum Cabinet size for Rollouts is 13.5" W
- Rollout locations are predetermined

UPGRADES

Metabox Rollout (x2)

See additional accessories available on page 24-25.

24" DEEP DOUBLE FULL HEIGHT DOOR BASE



SKU

BH24	24"W
BH27	27"W
BH30	30"W
BH33	33"W
BH36	36"W

Standard Features

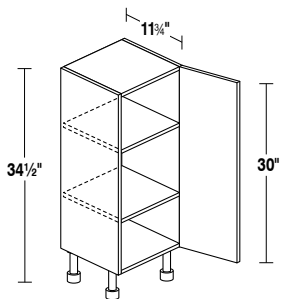
- Half-depth adjustable shelf (x1)
- Rollout locations are predetermined

UPGRADES

Metabox Rollout (x2)

See additional accessories available on page 24-25.

12" DEEP SINGLE FULL HEIGHT DOOR BASE



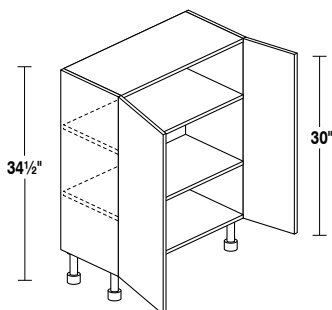
SKU

BFH0912 (L/R)	9"W
BFH1212 (L/R)	12"W
BFH13.512 (L/R)	13.5"W
BFH1512 (L/R)	15"W
BFH16.512 (L/R)	16.5"W
BFH1812 (L/R)	18"W
BFH2112 (L/R)	21"W

Standard Features

- Adjustable shelf (x2)

12" DEEP DOUBLE FULL HEIGHT DOOR BASE



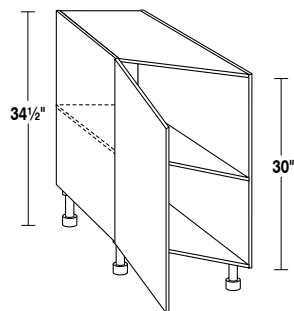
SKU

BFH2412	24"W
BFH2712	27"W
BFH3012	30"W
BFH3312	33"W
BFH3612	36"W

Standard Features

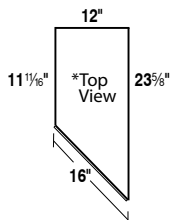
- Adjustable shelf (x2)

TRANSITIONAL END BASE



SKU

BTE12 (L/R)



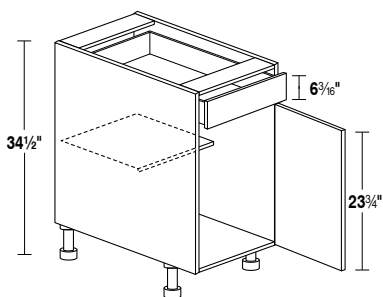
Standard Features

- Adjustable shelf (x1)
- If using this cabinet in your design *do not* measure for counter top until base cabinets are installed

UPGRADES

False Door Overlay CS-IBEP2430- see page 8

24" DEEP SINGLE DRAWER/DOOR BASE



SKU

BD12 (L/R)	12"W
BD13.5 (L/R)	13.5"W
BD15 (L/R)	15"W
BD16.5 (L/R)	16.5"W
BD18 (L/R)	18"W
BD21 (L/R)	21"W

Standard Features

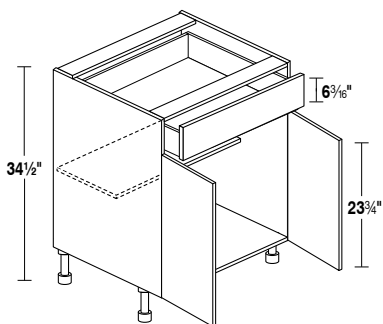
- Half-depth adjustable shelf (x1)
- Metabox drawer box system
- Minimum Cabinet size for Rollouts is 13.5" wide

UPGRADES

Metabox Rollout (x2)
Interio Drawer
Dovetail Drawer

See additional accessories available on page 24-25.

24" DEEP DOUBLE DRAWER/DOOR BASE



SKU

BD24	24"W
BD27	27"W
BD30	30"W
BD33	33"W
BD36	36"W

Standard Features

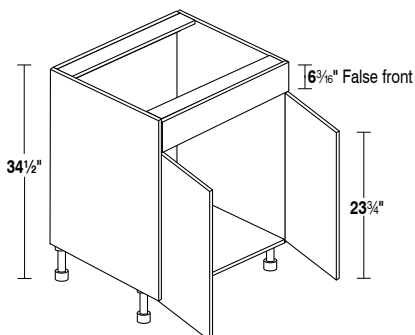
- Half-depth adjustable shelf (x1)
- Metabox drawer box system
- Minimum Cabinet size for Rollouts is 13.5" wide

UPGRADES

Metabox Rollout (x2)
Interio Drawer
Dovetail Drawer

See additional accessories available on page 24-25.

24" DEEP SINK BASE



SKU

SB24	24"W
SB27	27" W
SB30	30" W
SB33	33" W
SB36	36" W

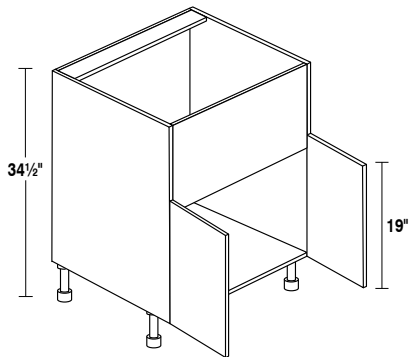
Standard Features

- 6 3/16" Height sink front
- Back panel included
- No shelf

UPGRADES

Tip Out Tray (SFT)

APRON SINK BASE CABINET



SKU

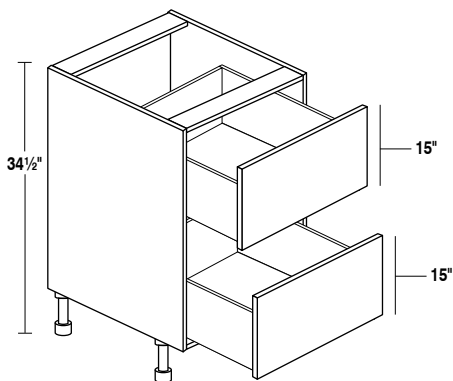
SBAP30	30"W
SBAP33	33"W
SBAP36	36"W

Standard Features

- Front Apron Panel 13"H but 11-3/8"H exposed
- Back panel included
- No shelf

Note: Refer to the Manufacturers specs regarding installation requirements of any appliances.

24" DEEP 2 DRAWER BASE



SKU

DB12-2	12"W
DB15-2	15"W
DB18-2	18"W
DB21-2	21"W
DB24-2	24"W
DB27-2	27"W
DB30-2	30"W
DB33-2	33"W

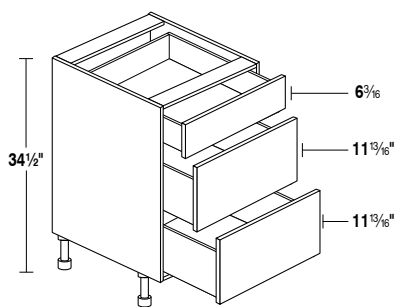
Standard Features

- Metabox drawer box system

UPGRADES

Interio Drawers
Dovetail Drawers

24" DEEP 3 DRAWER BASE



SKU

DB12-3	12"W
DB15-3	15"W
DB18-3	18"W
DB21-3	21"W
DB24-3	24"W
DB27-3	27"W
DB30-3	30"W
DB33-3	33"W

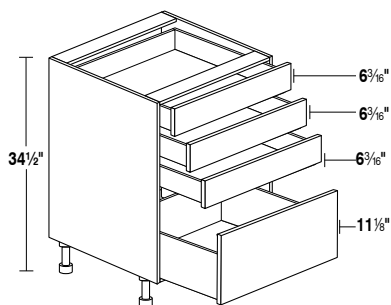
Standard Features

- Metabox drawer box system

UPGRADES

Interio Drawers
Dovetail Drawers

24" DEEP 4 DRAWER BASE



SKU

DB12-4	12"W
DB15-4	15"W
DB18-4	18"W

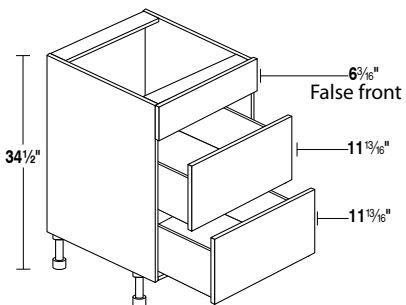
Standard Features

- Metabox drawer box system

UPGRADES

UPGRADES	LIST \$
Interio Drawers	\$372
Dovetail Drawers	\$620

24" DEEP COOKTOP BASE



SKU	
BC30	30"W
BC33	33"W

Standard Features

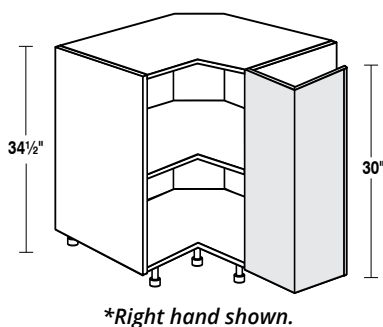
- Metabox drawer box system

UPGRADES

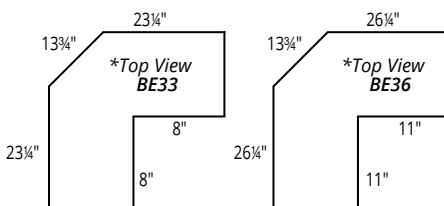
Interio Drawers
Dovetail Drawers

Note: Refer to the Manufacturers specs regarding installation requirements of any appliances.

EASY REACH CORNER



SKU	
BE33 (L/R)	33"W
BE36 (L/R)	36"W



Standard Features

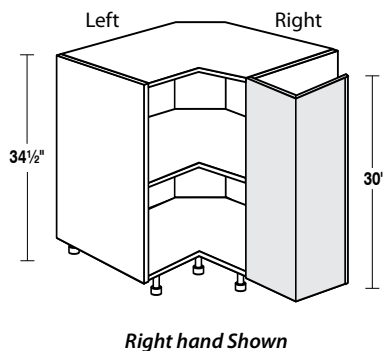
- Full-depth adjustable shelf (x1)
- 5/8" Back panel
- 2 bifold hinges
- Soft close not available

UPGRADES

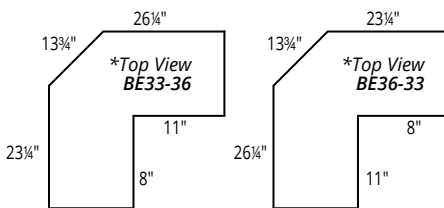
Lazy Susan PVC (33")
Lazy Susan PVC (36")
Lazy Susan Wire (33")
Lazy Susan Wire (36")

See additional accessories available on page 24-25.

EASY REACH CORNER OFFSET (L/R)



SKU	
BE33-36 (L/R)	(L33-R36)
BE36-33 (L/R)	(L36-R33)



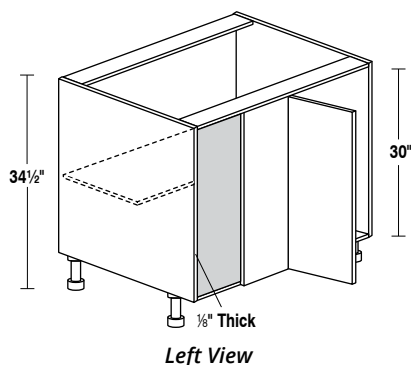
Standard Features

- Full-depth adjustable shelf (x1)
- 5/8" Back panel
- 2 bifold hinges
- Soft close not available

UPGRADES

Lazy Susan PVC (33")
Lazy Susan Wire (33")

BLIND CORNER 39" - 48"



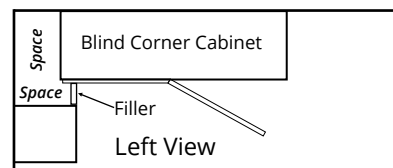
SKU	
BBH39 (3" pull) L/R	39"W
BBH42 (6" pull) L/R	42"W
BBH45 (9" pull) L/R	45"W
BBH48 (12" pull) L/R	48"W

Cab	Wall Space to Fill	Door Size	Fill Req.	Min Pull	Max Pull
BBH39	39-42"	12"	3"	3"	5"
BBH42	42-44"	15"	3"	6"	8"
BBH45	45-47"	18"	3"	9"	11"
BBH48	48-50"	21"	3"	12"	14"

Standard Features

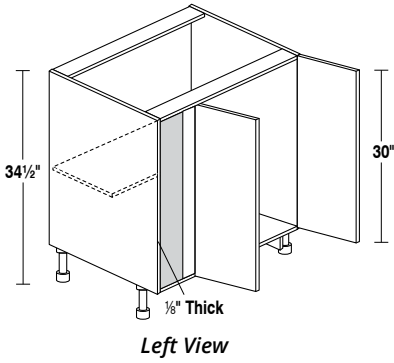
- Half-depth adjustable shelf (x1)
- 36" W Cabinet Box
- Back Panel
- Soft close not available
- Filler to be ordered separately

See additional accessories available on pg 22-24



BASE CABINETS

BLIND CORNER 51" - 63"



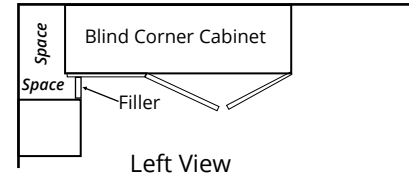
SKU

BBH51 (2" pull) L/R	51"W
BBH54 (6" pull) L/R	54"W
BSB60 (12" pull) L/R	60"W
BSB63 (15" pull) L/R	63"W

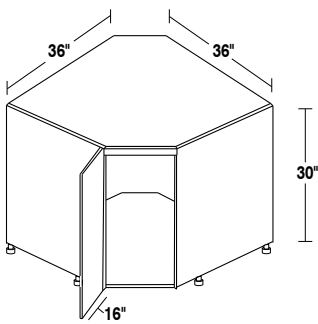
Cab	Wall Space to Fill	Door Size	Fill Req.	Min Pull	Max Pull
BBH51	51-53"	2X 12"	3"	3"	5"
BBH54	54-56"	2X 13.5"	3"	6"	8"
BSB60	60-62"	2X 16.5"	3"	12"	14"
BSB63	63-65"	2X 18"	3"	15"	17"

Standard Features

- Half-depth adjustable shelf (x1)
- 48" W Cabinet Box
- Back Panel
- Soft close *not* available
- Filler strip to be ordered separately



ANGLED SINK CORNER



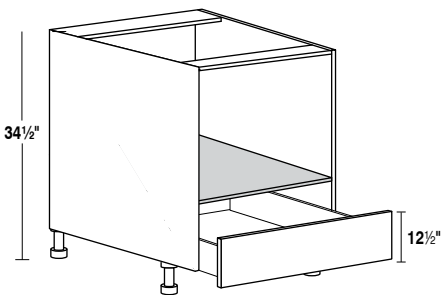
SKU

BSA36 (L/R)	36"W
-------------	------

Standard Features

- Solid Top and Bottom
- Note: This is an assembled unit
- Largest Sink 27"W (Sink & 1/2)
- No shelf

MICROWAVE BASE CABINET



SKU

BMD24	24"W
BMD30	30"W

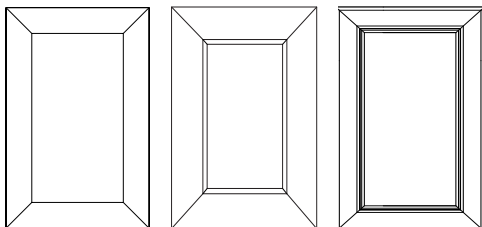
Standard Features

- Metabox drawer box system
- Matching Interior

UPGRADES

Interio Drawers
Dovetail Drawers

IMPRESSION OVERLAY DOORS



23 3/8" W x 30 1/8" H

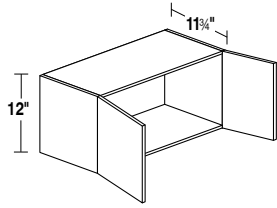
SKU

CS-IBEP2430-

Finish Codes

	Elegance Shaker	Elegance Transitional	Canadiana Shaker	Canadiana Transitional
White	NSW	NTW	N/A	N/A
Antique White	NSA	NTA	N/A	N/A
Java	NSJ	NTJ	N/A	N/A
Zambukka	NSZ	NTZ	N/A	N/A
Fossil	NSF	NTF	N/A	N/A
Ashen	NSQ	NTQ	N/A	N/A
Dove Grey	NSD	NTD	N/A	N/A
Willow Grey	NSL	NTL	N/A	N/A
Weathered Vane	N/A	N/A	N/A	N/A
Linen White	N/A	N/A	N/A	N/A
Banff	N/A	N/A	ISB	ITB
Canmore	N/A	N/A	ISC	ITC
Jasper	N/A	N/A	ISJ	ITJ
Whistler	N/A	N/A	ISW	ITW

12" HIGH WALL



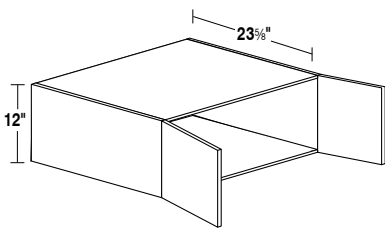
SKU

W3012	30"W
W3312	33"W
W3612	36"W

Standard Features

- Designed for use over sink, range or refrigerator
- No Shelf

12" HIGH REFRIGERATOR WALL



SKU

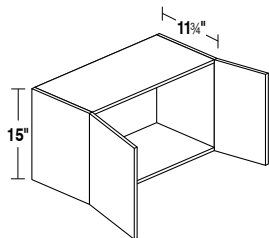
W3012-24	30"W
W3312-24	33"W
W3612-24	36"W

Standard Features

- Designed for use over the refrigerator
- No Shelf

Note: 24" Deep Wall Cabinets must be secured to an adjacent 24" deep Tall Cabinet (Broom, Pantry, Hutch) and an adjacent Wall Cabinet. Cabinet cannot stand alone or at the return end of a run unless supported by a refrigerator panel.

15" HIGH WALL



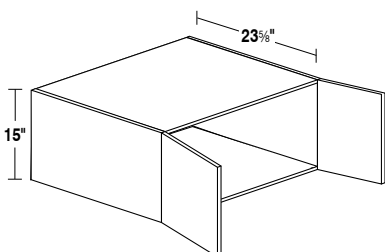
SKU

W2415	24"W
W2715	27" W
W3015	30"W
W3315	33"W
W3615	36"W

Standard Features

- Designed for use over sink, range, above microwave shelf or refrigerator
- No Shelf

15" HIGH REFRIGERATOR WALL



SKU

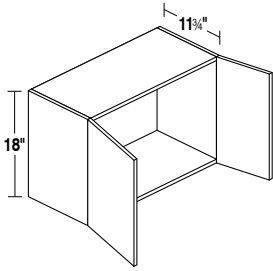
W2415-24	24"W
W2715-24	27"W
W3015-24	30"W
W3315-24	33"W
W3615-24	36"W

Standard Features

- Designed for use over the refrigerator
- No Shelf

Note: 24" Deep Wall Cabinets must be secured to an adjacent 24" deep Tall Cabinet (Broom, Pantry, Hutch) and an adjacent Wall Cabinet. Cabinet cannot stand alone or at the return end of a run unless supported by a refrigerator panel.

18" HIGH WALL



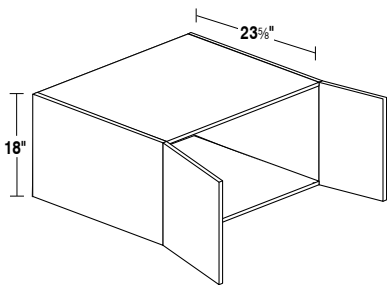
SKU

W2418	24"W
W3018	30"W
W3318	33"W
W3618	36"W

Standard Features

- Designed for use over sink, range or the refrigerator
- No shelf

18" HIGH REFRIGERATOR WALL



SKU

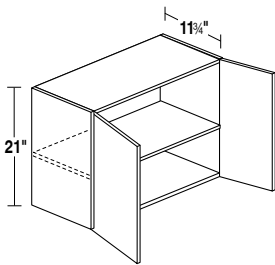
W2418-24	24"W
W3018-24	30"W
W3318-24	33"W
W3618-24	36"W

Standard Features

- Designed for use over the refrigerator
- No shelf

Note: 24" Deep Wall Cabinets must be secured to an adjacent 24" deep Tall Cabinet (Broom, Pantry, Hutch) and an adjacent Wall Cabinet. Cabinet cannot stand alone or at the return end of a run unless supported by a refrigerator panel.

21" HIGH WALL



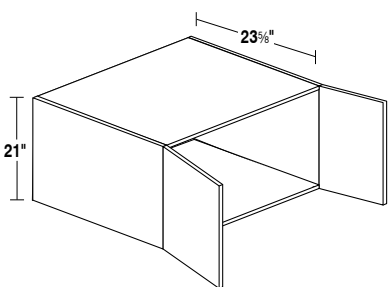
SKU

W2421	24"W
W3021	30"W
W3321	33"W
W3621	36"W

Standard Features

- Designed for use over sink, range, above microwave shelf or refrigerator
- Adjustable shelf (x1)

21" HIGH REFRIGERATOR WALL



SKU

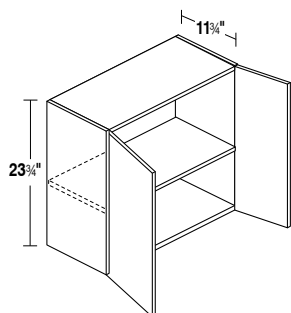
W3021-24	30"W
W3321-24	33"W
W3621-24	36"W

Standard Features

- Designed for use over the refrigerator
- No shelf

Note: 24" Deep Wall Cabinets must be secured to an adjacent 24" deep Tall Cabinet (Broom, Pantry, Hutch) and an adjacent Wall Cabinet. Cabinet cannot stand alone or at the return end of a run unless supported by a refrigerator panel.

24" HIGH DOUBLE DOOR WALL



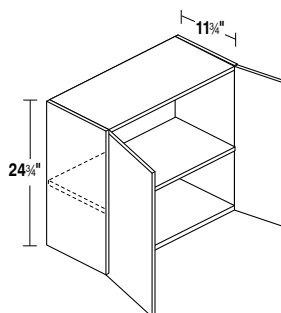
SKU

W3024	30"W
W3324	33"W
W3624	36"W

Standard Features

- Adjustable shelf (x1)

25" HIGH DOUBLE DOOR WALL



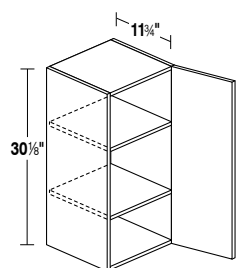
SKU

W2425	24"W
-------	------

Standard Features

- Adjustable shelf (x1)

30" HIGH SINGLE DOOR WALL



SKU

W0930 (L/R)	9"W
W1230 (L/R)*	12"W
W13.530 (L/R)	13.5"W
W1530 (L/R)*	15"W
W16.530 (L/R)*	16.5"W
W1830 (L/R)*	18"W
W2130 (L/R)	21"W

Standard Features

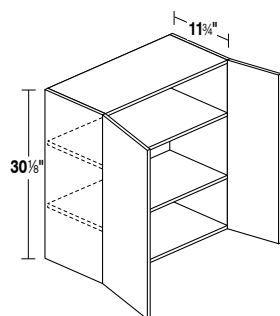
- Adjustable shelf (x2)

UPGRADES

Prepped for Glass
Matching interior

Note: Glass prep and/or matching interior available only in cab sizes marked by *

30" HIGH DOUBLE DOOR WALL



SKU

W2430*	24"W
W2730	27"W
W3030*	30"W
W3330*	33"W
W3630*	36"W

Standard Features

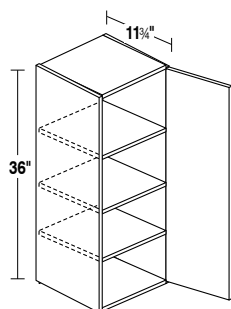
- Adjustable shelf (x2)

UPGRADES

Prepped for Glass
Matching interior

Note: Glass prep and/or matching interior available only in cab sizes marked by *

36" HIGH SINGLE DOOR WALL



SKU

W0936 (L/R)	9"W
W1236 (L/R)*	12"W
W13.536 (L/R)	13.5"W
W1536 (L/R)*	15"W
W16.536 (L/R)*	16.5"W
W1836 (L/R)*	18"W
W2136 (L/R)	21"W

Standard Features

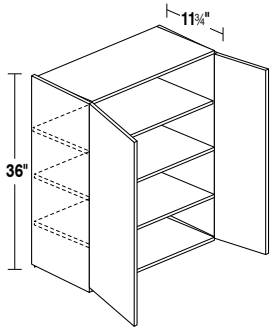
- Adjustable shelf (x3)

UPGRADES

Prepped for Glass
Matching interior

Note: Glass prep and/or matching interior available only in cab sizes marked by *

36" HIGH DOUBLE DOOR WALL



SKU

W2436*	24"W
W2736	27"W
W3036*	30"W
W3336*	33"W
W3636*	36"W

Standard Features

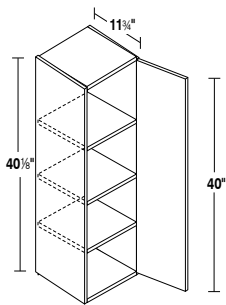
- Adjustable shelf (x3)

UPGRADES

Prepped for Glass
Matching interior

*Note: Glass prep and/or matching interior available only in cab sizes marked by **

40" HIGH SINGLE DOOR WALL



Right Hinge Shown

SKU

W0940 (L/R)	9"W
W1240 (L/R)*	12"W
W13.540 (L/R)	13.5"W
W1540 (L/R)*	15"W
W16.540 (L/R)*	16.5"W
W1840 (L/R)*	18"W
W2140 (L/R)	21"W

Standard Features

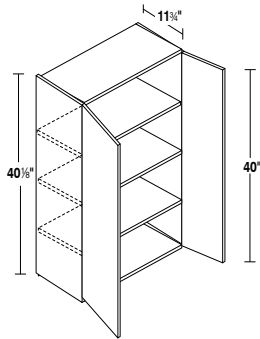
- Adjustable shelf (x3)

UPGRADES

Prepped for Glass
Matching interior

*Note: Glass prep and/or matching interior available only in cab sizes marked by **

40" HIGH DOUBLE DOOR WALL



SKU

W2440*	24"W
W2740	27"W
W3040*	30"W
W3340*	33"W
W3640*	36"W

Standard Features

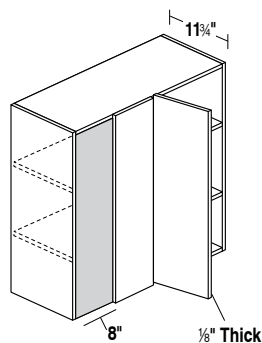
- Adjustable shelf (x3)

UPGRADES

Prepped for Glass
Matching interior

*Note: Glass prep and/or matching interior available only in cab sizes marked by **

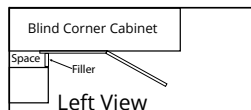
30" / 36" / 40" HIGH SINGLE DOOR BLIND CORNER WALL



Left hand shown.

SKU

WB2430 (L/R)	24"W
WB2730 (L/R)	27"W
WB3030 (L/R)	30"W
WB3330 (L/R)	33"W
WB3630 (L/R)	36"W



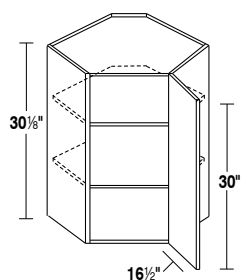
Standard Features

- Adjustable Shelf (x2)
- Filler to be ordered separately
- Soft close *not* available
- Box size is as indicated

Cab	Wall Space to Fill	Door Size	Fill Req.	Min Pull	Max Pull
WB2430	24-26"	9"	3"	0"	2"
WB2730	27-29"	12"	3"	0"	2"
WB3030	30-32"	15"	3"	0"	2"
WB3330	33-35"	18"	3"	0"	2"
WB3630	36-38"	21"	3"	0"	2"

Wall blind box sizes are as stated, pulling is optional. Subject to site conditions.

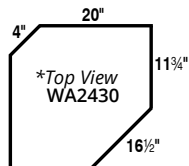
30" HIGH ANGLE CORNER WALL



Right Hand Shown

SKU

WA2430 (L/R)	12"D
--------------	------



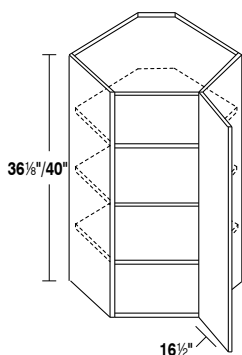
Standard Features

- Adjustable shelf (x2)
- 5/8" Back Panel

UPGRADES

Prepped for Glass
Matching interior

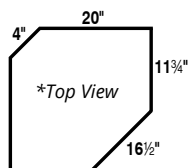
36" / 40" HIGH ANGLE CORNER WALL



Right Hand Shown

SKU

WA2436 (L/R)	12"D
WA2440 (L/R)	12"D



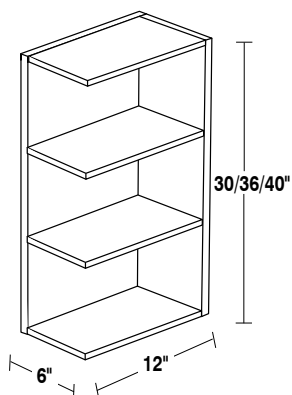
Standard Features

- Adjustable shelf (x3)
- 5/8" Back Panel

UPGRADES

Prepped for Glass
Matching interior

WALL END CORNER CABINET (30 / 36 / 40" HEIGHT OPTIONS)



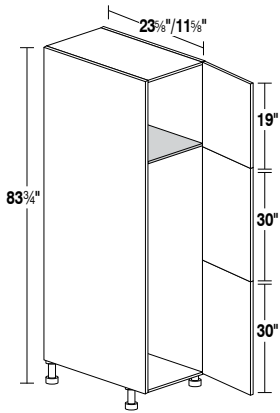
CS-WESC1206-30-
CS-WESC1206-36-
CS-WESC1206-40-

WH =White
AW =Antique White
CP =Chocolate Pear
ZA =Zambukka
AS =Ashen
FS =Fossil
GR =Dove Grey
WG =Willow Grey
BN =Banff
CM =Canmore
JS =Jasper
WS =Whistler

Standard Features

- Universal left or right
- Melamine

84" HIGH BROOM CABINET



SKU

UB1584 (L/R)	15"W
UB1884 (L/R)	18"W
UB2484 (dbl door)	24"W
UB3084 (dbl door)	30"W
UB3384 (dbl door)	33"W

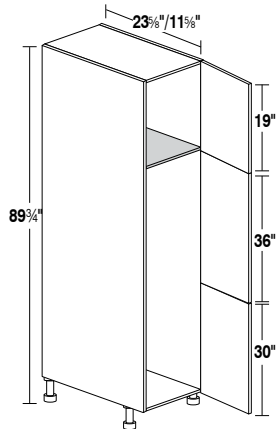
*Add **-12** to SKU to indicate 12"D.

Standard Features

- 1 Fixed Shelf

*15"-18" wide pantries 3 door single swing,
24"-33" wide pantries 6 door double swing

90" HIGH BROOM CABINET



SKU

UB1590 (L/R)	15"W
UB1890 (L/R)	18"W
UB2490 (dbl door)	24"W
UB3090 (dbl door)	30"W
UB3390 (dbl door)	33"W

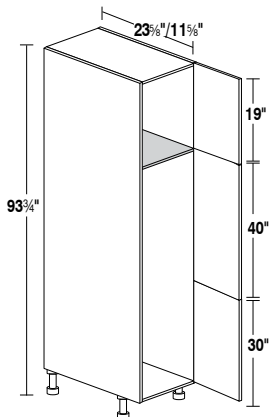
*Add **-12** to SKU to indicate 12"D.

Standard Features

- 1 Fixed Shelf

*15"-18" wide pantries 3 door single swing,
24"-33" wide pantries 6 door double swing

94" HIGH BROOM CABINET



SKU

UB1594 (L/R)	15"W
UB1894 (L/R)	18"W
UB2494 (dbl door)	24"W
UB3094 (dbl door)	30"W
UB3394 (dbl door)	33"W

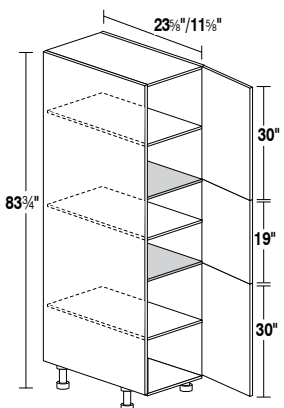
*Add **-12** to SKU to indicate 12"D.

Standard Features

- 1 Fixed Shelf

*15"-18" wide pantries 3 door single swing,
24"-33" wide pantries 6 door double swing

84" HIGH PANTRY CABINET



SKU

UP1584 (L/R)	15"W
UP1884 (L/R)	18"W
UP2484 (dbl door)	24"W
UP3084 (dbl door)	30"W
UP3384 (dbl door)	33"W

*Add **-12** to SKU to indicate 12"D.

Standard Features

- Fixed Shelf (x2)
- Full Depth Adjustable Shelf (x3) *22 7/8" D
- NOTE: 2 adjustable shelves in cabs with Roll Out
- Rollout location predetermined
- Rollouts not available in 12" Depth

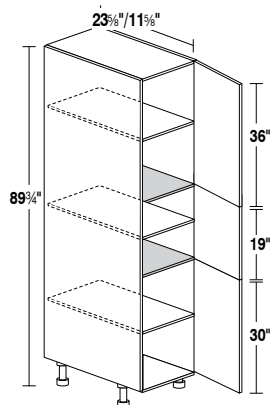
UPGRADES

Metabox Rollout (x4)

Metabox rollout not available in 12" depth

*15"-18" wide pantries 3 door single swing,
24"-33" wide pantries 6 door double swing

90" HIGH PANTRY CABINET



SKU

UP1590 (L/R)	15"W
UP1890 (L/R)	18"W
UP2490 (dbl door)	24"W
UP3090 (dbl door)	30"W
UP3390 (dbl door)	33"W

*Add -12 to SKU to indicate 12"D.

Standard Features

- Fixed Shelf (x2)
- Full Depth Adjustable Shelf (x3)
- NOTE: 2 adjustable shelves in cabs with Roll Out
- Rollout location predetermined
- Rollouts not available in 12" Depth

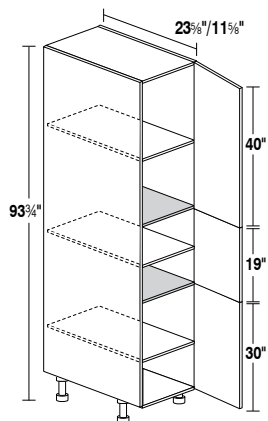
UPGRADES

Metabox Rollout (x4)

Metabox rollout not available in 12" depth

*15"-18" wide pantries 3 door single swing,
24"-33" wide pantries 6 door double swing

94" HIGH PANTRY CABINET



SKU

UP1594 (L/R)	15"W
UP1894 (L/R)	18"W
UP2494 (dbl door)	24"W
UP3094 (dbl door)	30"W
UP3394 (dbl door)	33"W

*Add -12 to SKU to indicate 12"D.

Standard Features

- Fixed Shelf (x2)
- Full Depth Adjustable Shelf (x3)
- NOTE: 2 adjustable shelves in cabs with Roll Out
- Rollout location predetermined
- Rollouts not available in 12" Depth

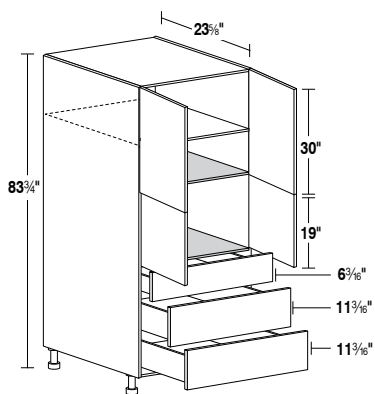
UPGRADES

Metabox Rollout (x4)

Metabox rollout not available in 12" depth

*15"-18" wide pantries 3 door single swing,
24"-33" wide pantries 6 door double swing

84" HIGH UTILITY HUTCH CABINET



SKU

UH1884 (L/R) (single door)	18"W
UH2484 (dbl door)	24"W
UH3084 (dbl door)	30"W
UH3384 (dbl door)	33"W

*Double door Cabinet Shown

*18" wide pantries 2 door single swing,
24"-33" wide pantries 4 door double swing

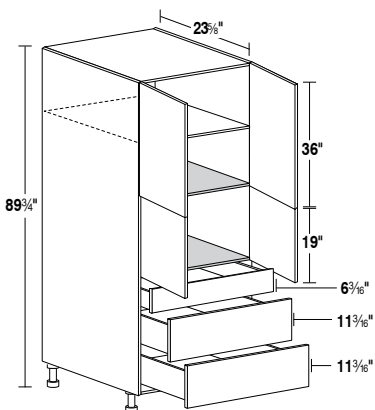
Standard Features

- Fixed Shelf (x2)
- Full Depth Adjustable Shelf (x2)
- Metabox Drawer
- Rollout location predetermined
- NOTE: 2 adjustable shelves in cabs without Roll Outs

UPGRADES

Metabox Rollout (x2)
Intero Drawer (x3)
Dovetail Drawers

90" HIGH UTILITY HUTCH CABINET



SKU

UH1890 (L/R) (single door)	18"W
UH2490 (dbl door)	24"W
UH3090 (dbl door)	30"W
UH3390 (dbl door)	33"W

*Double door Cabinet Shown

*18" wide pantries 2 door single swing,
24"-33" wide pantries 4 door double swing

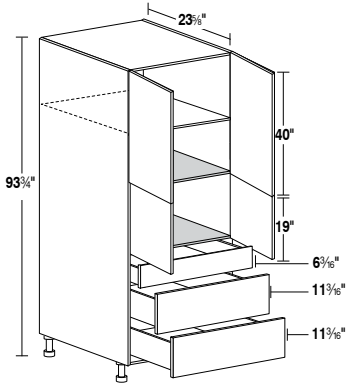
Standard Features

- Fixed Shelf (x2)
- Metabox drawer
- Full Depth Adjustable Shelf (x1)
- Rollout locations are predetermined
- NOTE: 2 adjustable shelves in cabs without Roll Outs

UPGRADES

Metabox Rollout (x2)
Intero Drawer (x3)
Dovetail Drawers

94" HIGH UTILITY HUTCH CABINET



SKU

UH1894 (L/R) (single door)	18"W
UH2494 (dbl door)	24"W
UH3094 (dbl door)	30"W
UH3394 (dbl door)	33"W

**Double door Cabinet Shown*

**18" wide pantries 2 door single swing,
24"-33" wide pantries 4 door double swing*

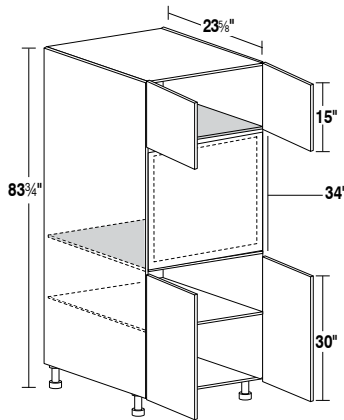
Standard Features

- Metabox drawers
- Fixed Shelf (x2)
- Full Depth Adjustable Shelf (x1)
- NOTE: 2 adjustable shelves in cabs without Roll Outs
- Rollout locations are predetermined

UPGRADES

Metabox Rollout (x2)
Intero Drawer (x3)
Dovetail Drawers

84" HIGH SINGLE OVEN CABINET



SKU

OS3384	33"W
--------	------

****Additional reinforcement/materials are recommended to be added at the time of installing any appliance to this cabinet. Please refer to the Manufacturers specs regarding installation requirements of any appliances.***

Standard Features

- Full Depth Adjustable shelf (x1)
- Full Depth Fixed Shelf (x2)
- Field cut panel - Requires L bracket (not included)
- Panel is 33"W x 35 1/4" (893mm)
- Max cutout is 28"W X 29"H
- Rollout locations are predetermined
- Appliance support not available

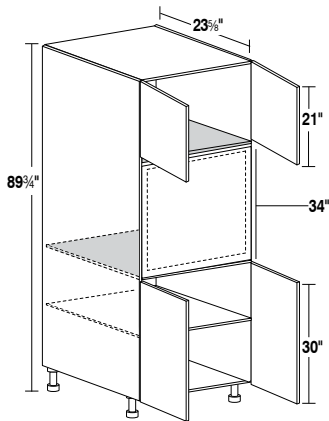
**Edgetape sold separately*

**Rollouts installed in bottom*

UPGRADES

Metabox Rollout (x2)

90" HIGH SINGLE OVEN CABINET



SKU

OS3390	33"W
--------	------

****Additional reinforcement/materials are recommended to be added at the time of installing any appliance to this cabinet. Please refer to the Manufacturers specs regarding installation requirements of any appliances.***

Standard Features

- Full Depth Adjustable shelf (x1)
- Full Depth Fixed Shelf (x2)
- Field cut panel - Requires L bracket (not included)
- Panel is 33"W x 35 1/4" (893mm)
- Max cutout is 28"W X 29"H
- Rollout locations are predetermined
- Appliance support not included

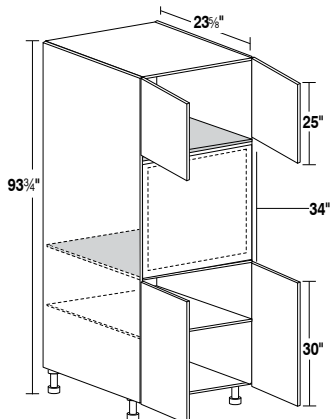
**Edgetape sold separately*

**Rollouts installed in bottom*

UPGRADES

Metabox Rollout (x2)

94" HIGH SINGLE OVEN CABINET



SKU

OS3394	33"W
--------	------

****Additional reinforcement/materials are recommended to be added at the time of installing any appliance to this cabinet. Please refer to the Manufacturers specs regarding installation requirements of any appliances.***

Standard Features

- Full Depth Adjustable shelf (x1)
- Full Depth Fixed Shelf (x2)
- Field cut panel - Requires L bracket (not included)
- Panel is 33"W x 35 1/4" (893mm)
- Max cutout is 28"W X 29"H
- Rollout locations are predetermined
- Appliance support not available

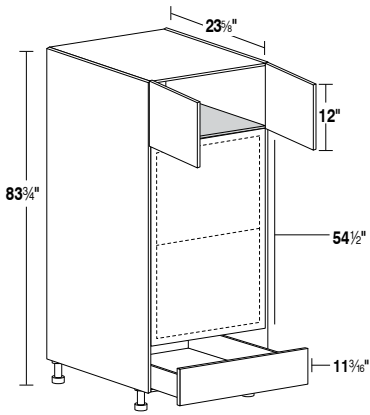
**Edgetape sold separately*

**Rollouts installed in bottom*

UPGRADES

Metabox Rollout (x2)

84" HIGH DOUBLE OVEN CABINET



SKU

OD3384	33"W
--------	------

****Additional reinforcement/materials are recommended to be added at the time of installing any appliance to this cabinet. Please refer to the Manufacturers specs regarding installation requirements of any appliances.***

Standard Features

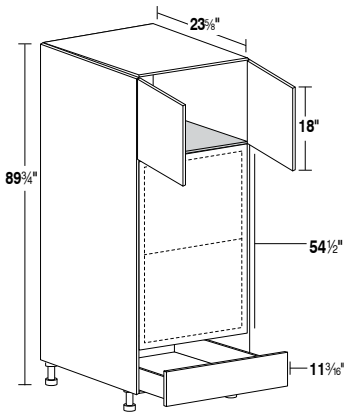
- Metabox Drawer
- Full Depth Fixed Shelf (x2)
- Field cut panel - Requires L bracket (not included)
- Panel is 33"W X 54 1/2"H
- Max cutout is 29"W X 49"H
- Appliance support not included

**Edgetape sold separately*

UPGRADES

Intero Drawer (x1)
Dovetail Drawer (x1)

90" HIGH DOUBLE OVEN CABINET



SKU

OD3390	33"W
--------	------

****Additional reinforcement/materials are recommended to be added at the time of installing any appliance to this cabinet. Please refer to the Manufacturers specs regarding installation requirements of any appliances.***

Standard Features

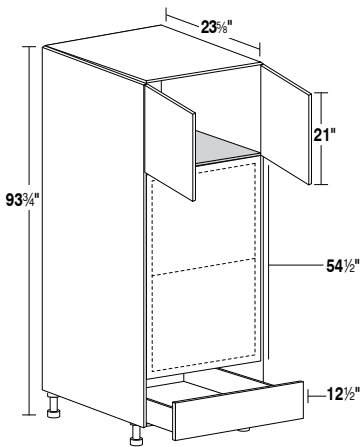
- Metabox Drawer
- Full Depth Fixed Shelf (x2)
- Field cut panel - Requires L bracket (not included)
- Panel is 33"W X 54 1/2"H
- Max cutout is 29"W X 49"H
- Appliance support not included

**Edgetape sold separately*

UPGRADES

Intero Drawer (x1)
Dovetail Drawer

94" HIGH DOUBLE OVEN CABINET



SKU

OD3394	33"W
--------	------

****Additional reinforcement/materials are recommended to be added at the time of installing any appliance to this cabinet. Please refer to the Manufacturers specs regarding installation requirements of any appliances.***

Standard Features

- Metabox Drawer
- Full Depth Fixed Shelf (x2)
- Field cut panel - Requires L bracket (not included)
- Panel is 33"W X 54 1/2"H
- Max cutout is 29"W X 49"H
- Appliance support not included

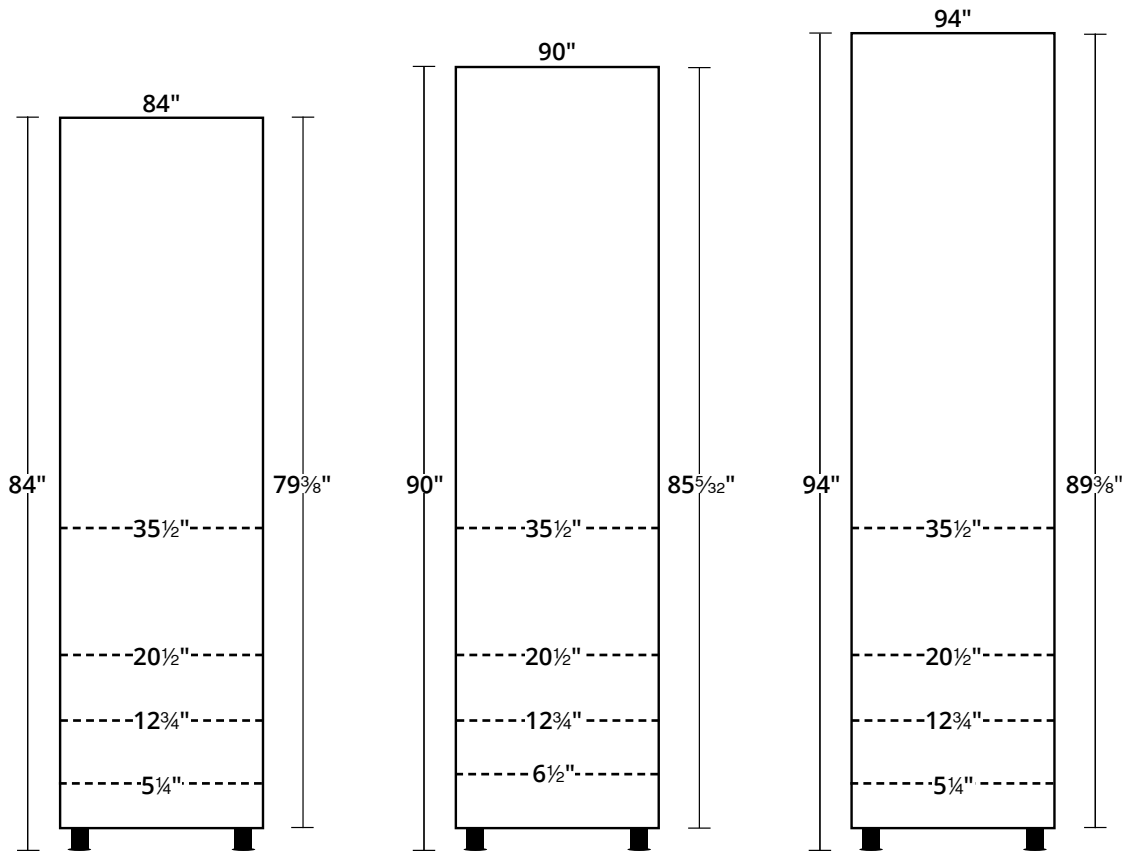
**Edgetape sold separately*

UPGRADES

Intero Drawer (x1)
Dovetail Drawer

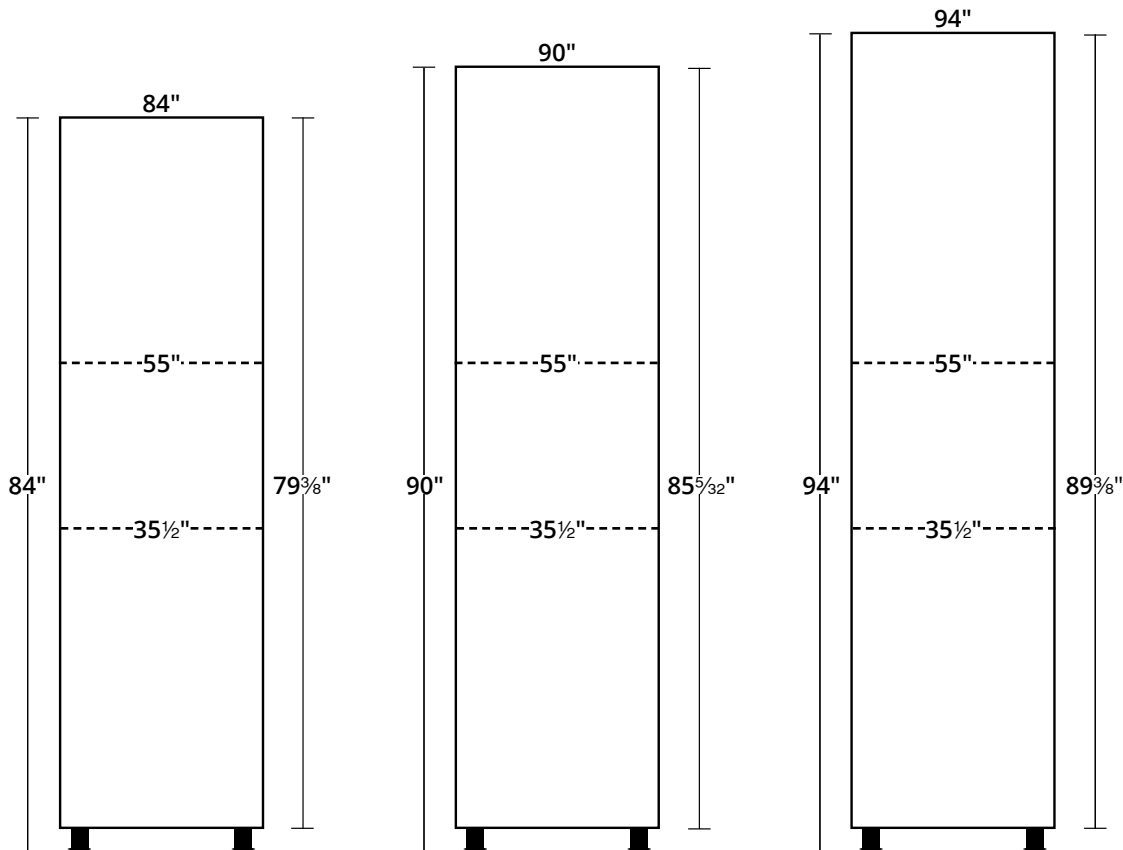
ROLL-OUT LOCATION GUIDE

PANTRY CABINETS WITH FOUR ROLL-OUTS (84" / 90" / 94")



NOTE:
Roll-out locations are measured up from the base of the gable.

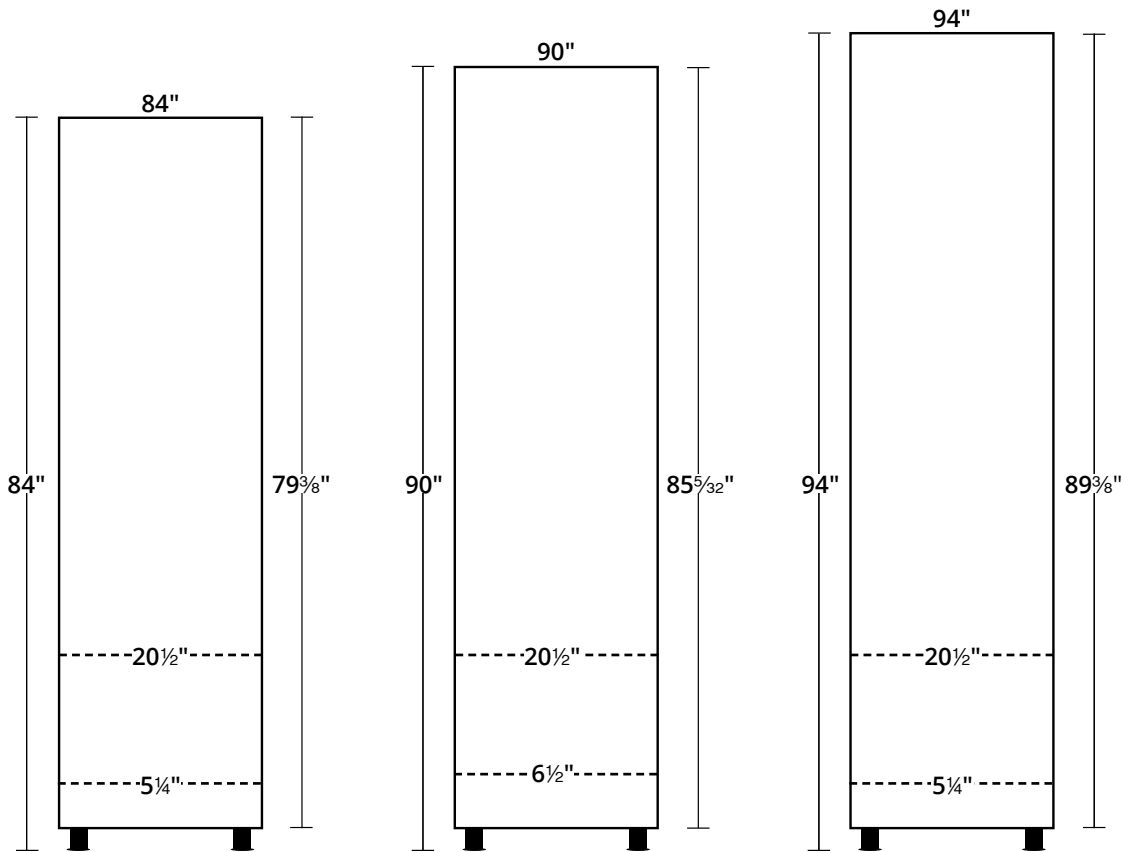
HUTCH CABINETS WITH TWO ROLL-OUTS (84" / 90" / 94")



NOTE:
Roll-out locations are measured up from the base of the gable.

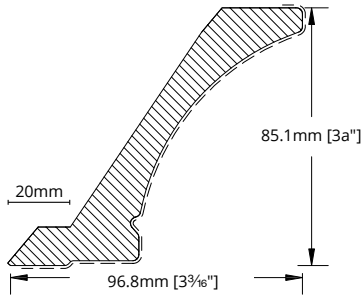
ROLL-OUT LOCATION GUIDE

SINGLE OVEN CABINET WITH TWO ROLL-OUTS (84" / 90" / 94")



CONTEMPORARY CROWN MOULDING (POLYESTER)

*96" Length



*Integrated cleat/nailing strip (top mount)
Cleat Length = 20mm

SKU

CS-CCROWN-

ELEGANCE

- WH**=White
- AW**=Antique White
- CP**=Chocolate Pear
- ZA**=Zambukka
- FS**=Fossil
- AS**=Ashen

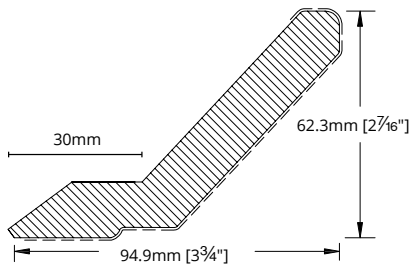
CANADIANA

- BN**=Banff
- CM**=Canmore
- JS**=Jasper
- WS**=Whistler

NOTE: Crown cannot be used with 40"H uppers and 8' ceilings.

SHAKER CROWN MOULDING (POLYESTER)

*96" Length



*Integrated cleat/nailing strip (top mount)
Cleat Length = 30mm

SKU

CS-IMSHCROWN-

ELEGANCE

- WH**=White
- AW**=Antique White
- CP**=Chocolate Pear
- ZA**=Zambukka
- FS**=Fossil
- AS**=Ashen

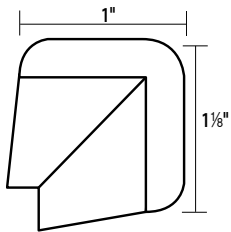
CANADIANA

- BN**=Banff
- CM**=Canmore
- JS**=Jasper
- WS**=Whistler

NOTE: Crown cannot be used with 40"H uppers and 8' ceilings.

OUTSIDE MOULDING (POLYESTER)

*96" Length



SKU

CS-IMOUTCORNER-

ELEGANCE

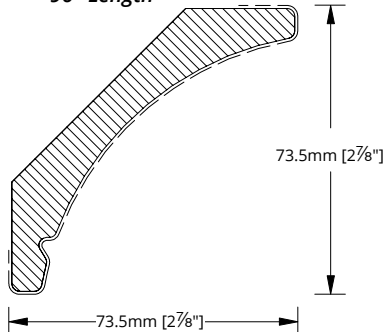
- WH**=White
- AW**=Antique White
- CP**=Chocolate Pear
- ZA**=Zambukka
- FS**=Fossil
- AS**=Ashen

CANADIANA

- BN**=Banff
- CM**=Canmore
- JS**=Jasper
- WS**=Whistler

FACEMOUNT CONTEMPORARY CROWN (POLYESTER)

*96" Length



*No cleat/nailing strip (surface mount)

SKU

CS-IMFMCCROWN-

ELEGANCE

- WH**=White
- AW**=Antique White
- CP**=Chocolate Pear
- ZA**=Zambukka
- FS**=Fossil
- AS**=Ashen

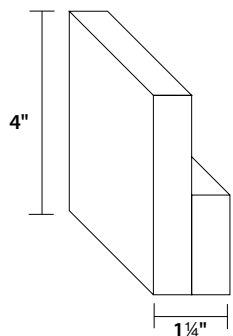
CANADIANA

- BN**=Banff
- CM**=Canmore
- JS**=Jasper
- WS**=Whistler

NOTE: Starter moulding or scribe required for installation.

FACEMOUNT STARTER MOULDING (MELAMINE)

*96" Length



SKU

CS-IMSM4-

ELEGANCE

WSM= Smoot White

AW=Antique White

CP=Chocolate Pear

ZA=Zambukka

FS=Fossil

AS=Ashen

CANADIANA

BN=Banff

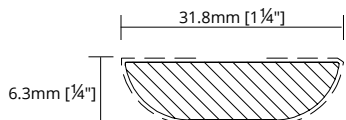
CM=Canmore

JS=Jasper

WS=Whistler

BATTEN MOULDING (POLYESTER)

*96" Length



SKU

CS-IMBATTEN-

ELEGANCE

WH=White

AW=Antique White

CP=Chocolate Pear

ZA=Zambukka

FS=Fossil

AS=Ashen

CANADIANA

BN=Banff

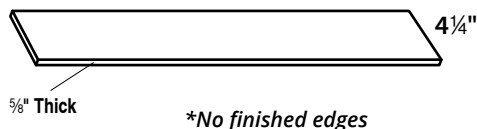
CM=Canmore

JS=Jasper

WS=Whistler

TOE KICK

*96" Length



SKU

CS-96TK-

ELEGANCE

WH=White

AW=Antique White

CP=Chocolate Pear

ZA=Zambukka

FS=Fossil

AS=Ashen

CANADIANA

BN=Banff

CM=Canmore

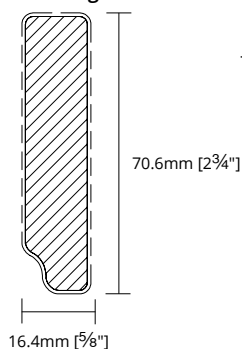
JS=Jasper

WS=Whistler

NOTE: For Comfort Height vanities & kitchens

LIGHT VALANCE (POLYESTER)

*96" Length



SKU

CS-LVALANCE-

ELEGANCE

WH=White

AW=Antique White

CP=Chocolate Pear

ZA=Zambukka

FS=Fossil

AS=Ashen

CANADIANA

BN=Banff

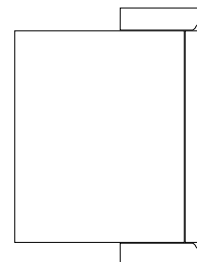
CM=Canmore

JS=Jasper

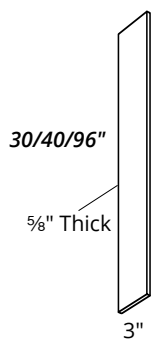
WS=Whistler

*No cleat/nailing strip (surface mount)
Fully wrapped
Installed using L brackets (not incl.)

DID YOU KNOW!
Light Valance can also be installed flat as a Crown & match Flat Valance



FILLER STRIP -30" / 40" / 96"



**No finished edges*

SKU

CS-30FILLER-
CS-40FILLER-
CS-96FILLER-

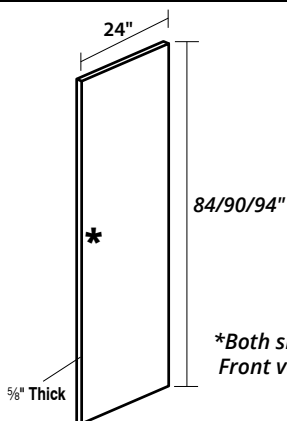
ELEGANCE

WH=White
AW=Antique White
CP=Chocolate Pear
ZA=Zambukka
FS=Fossil
AS=Ashen

CANADIANA

BN=Banff
CM=Canmore
JS=Jasper
WS=Whistler

REFRIGERATOR PANELS (84" / 90" / 94" HEIGHT)



**Both sides finished.
Front vertical edge finished*

SKU

CS-FRIDGE84-
CS-FRIDGE90-
CS-FRIDGE94-

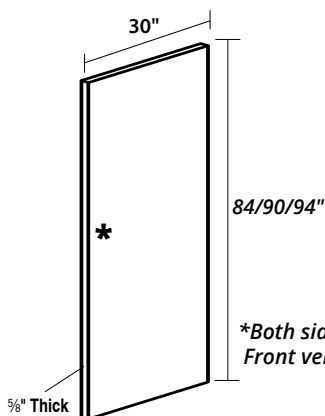
ELEGANCE

WH=White
AW=Antique White
CP=Chocolate Pear
ZA=Zambukka
FS=Fossil
AS=Ashen

CANADIANA

BN=Banff
CM=Canmore
JS=Jasper
WS=Whistler

REFRIGERATOR PANEL 30" DEEP (84" / 90" / 94" HEIGHT)



**Both sides finished.
Front vertical edge finished*

SKU

CS-FRIDGE8430-
CS-IMFRIDGE9030-
CS-FRIDGE9430-

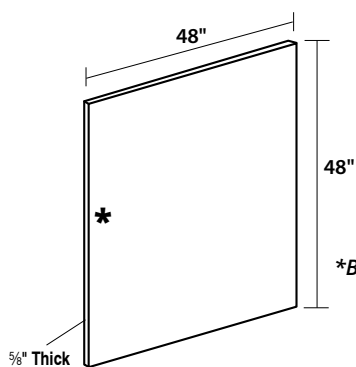
ELEGANCE

WH=White
AW=Antique White
CP=Chocolate Pear
ZA=Zambukka
FS=Fossil
AS=Ashen

CANADIANA

BN=Banff
CM=Canmore
JS=Jasper
WS=Whistler

ISLAND PANEL



**Both sides finished.*

SKU

CS-ISLAND48-

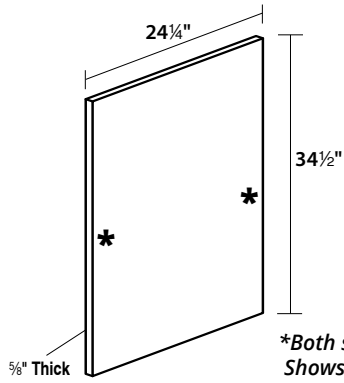
ELEGANCE

WH=White
AW=Antique White
CP=Chocolate Pear
ZA=Zambukka
FS=Fossil
AS=Ashen

CANADIANA

BN=Banff
CM=Canmore
JS=Jasper
WS=Whistler

DISHWASHER PANEL

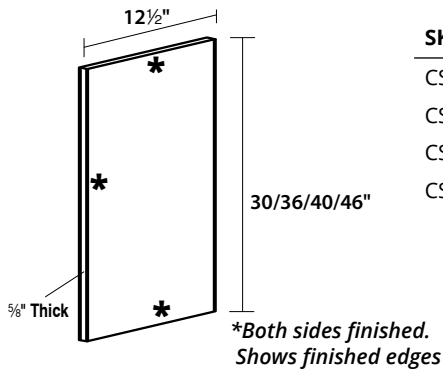


SKU
CS-DWPANEL-

ELEGANCE
WH=White
AW=Antique White
CP=Chocolate Pear
ZA=Zambukka
FS=Fossil
AS=Ashen

CANADIANA
BN=Banff
CM=Canmore
JS=Jasper
WS=Whistler

WALL END PANEL -12" DEEP (30" / 36" / 40" / 46" HEIGHT)

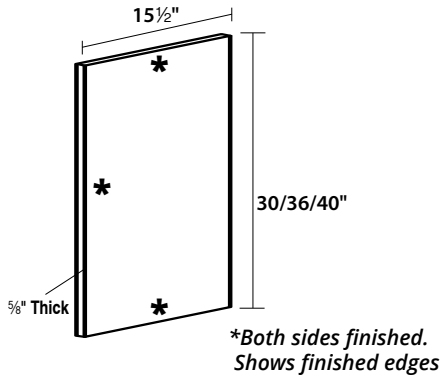


SKU
 CS-WEP1230-
 CS-WEP1236-
 CS-WEP1240-
 CS-WEP12.546-

ELEGANCE
WH=White
AW=Antique White
CP=Chocolate Pear
ZA=Zambukka
FS=Fossil
AS=Ashen

CANADIANA
BN=Banff
CM=Canmore
JS=Jasper
WS=Whistler

WALL END PANEL -15" DEEP (36" HEIGHT)

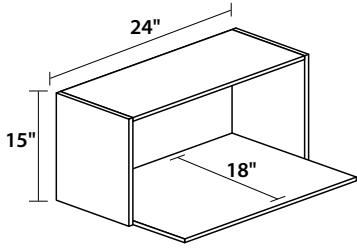


SKU
 CS-WEP1530-
 CS-WEP1536-
 CS-WEP1540-

ELEGANCE
WH=White
AW=Antique White
CP=Chocolate Pear
ZA=Zambukka
FS=Fossil
AS=Ashen

CANADIANA
BN=Banff
CM=Canmore
JS=Jasper
WS=Whistler

MICROWAVE SHELF

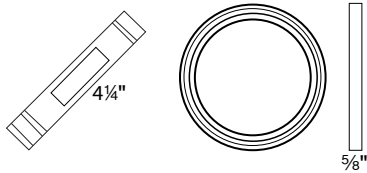


SKU
CS-MS2415-

ELEGANCE
WH=White
AW=Antique White
CP=Chocolate Pear
ZA=Zambukka
FS=Fossil
AS=Ashen

CANADIANA
BN=Banff
CM=Canmore
JS=Jasper
WS=Whistler

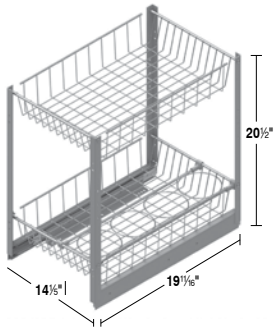
FINISHING MATERIALS (TOUCH UP CRAYON / EDGETAPE)



SKU	
Touch up Crayon	CS-CRAYON
Iron-on Edge Tape (5/8")	CS-EDGETAPE
Peel and Stick Edge Tape (1 5/16")	CS-EDGETAPE-PSC

NOTE: Iron on Tape available in White (WH), Chocolate Pear (CP) & Zambukka (ZA). Peel & Stick Tape available in Ashen (AS), Fossil (FS), Banff (BN), Jasper (JS), Canmore (CM) & Whistler (WS).

2 BASKET WITH BOTTLE HOLDER



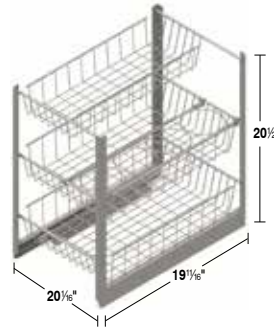
SKU
CS-S2103

Designed For Use In

- **BH18** Full Height Base Cabinet
- **BD18** 1 Door/1 Drawer Base Cabinet
- **UP1884** 18" Wide Pantry (without Rollouts)
- **UP1890** 18" Wide Pantry (without Rollouts)
- **UP1894** 18" Wide Pantry (without Rollouts)

Note: Accessory is not installed, shipped separately.

3 BASKET WITH BOTTLE HOLDER



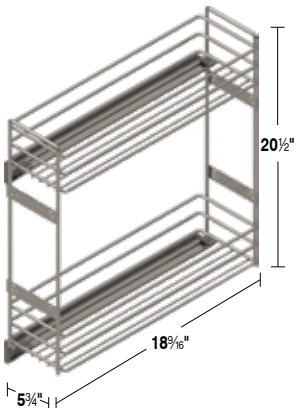
SKU
CS-S2126

Designed For Use In

- **BH24** Full Height Base Cabinet
- **BD24** 1 Door/1 Drawer Base Cabinet
- **UP2484** 24" Wide Pantry (without Rollouts)
- **UP2490** 24" Wide Pantry (without Rollouts)
- **UP2494** 24" Wide Pantry (without Rollouts)

Note: Accessory is not installed, shipped separately.

UNIVERSAL RACK (SPICES & DETERGENTS)



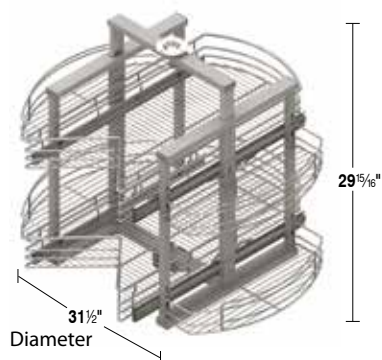
SKU
CS-S2213

Designed For Use In

- **BH09** Full Height Base Cabinet

Note: Accessory is not installed, shipped separately.

TURNING BASKET WITH RAILS



SKU
CS-S3041

Designed For Use In

- BE36 Easy Reach Corner Cabinet

Note: Accessory is not installed, shipped separately.

WIRE LAZY SUSAN



33" = 29 5/16" Diameter x 29 5/16" Height
36" = 32 1/16" Diameter x 29 5/16" Height

SKU
.CS-LSW33
.CS-LSW36

Designed For Use In

- .CS-LSW33:
- BE33 Easy Reach Corner Cabinet
 - BE33-36 Offset Easy Reach Corner Cabinet
 - BE36-33 Offset Easy Reach Corner Cabinet

- .CS-LSW36:
- BE36 Easy Reach Corner Cabinet

Note: Accessory ships installed. Can also be ordered uninstalled separately.

P.V.C LAZY SUSAN



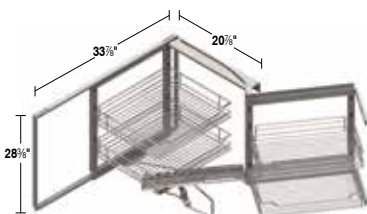
SKU
.CS-P24K30
.CS-P28K30

Designed For Use In

- .CS-P24K30:
- BE33 Easy Reach Corner Cabinet
 - BE33-36 Offset Easy Reach Corner Cabinet
 - BE36-33 Offset Easy Reach Corner Cabinet

- .CS-P28K30:
- BE36 Easy Reach Corner Cabinet

MAGIC CORNER



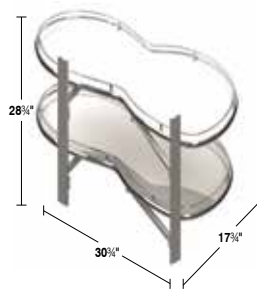
*Right hand shown.

SKU
CS-S3001
CS-S3002

Designed For Use In

- CS-S3001:
- BBH45/48R Blind Corner Cabinet
- CS-S3002:
- BBH45/48L Blind Corner Cabinet

KIDNEY MAGIC CORNER



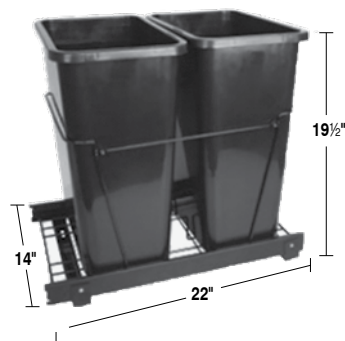
SKU
CS-S3013
CS-S3014

Designed For Use In

- CS-S3013:
- BBH45/Blind Corner Cabinet
- CS-S3014:
- BBH45/Blind Corner Cabinet

Note: Accessory ships installed. Can also be ordered uninstalled separately.

DUAL GARBAGE CAN SYSTEM



SKU
CS-WB-BLK
CS-WB-BLK-DOORKIT

Designed For Use In

- CS-WB-BLK:
- Any 18" W Base Cabinet
- CS-WB-BLK-DOORKIT:
- A Door mounting kit designed for the CS-WB-BLK only

Note: Accessory is not installed, shipped separately. Each bin has a 35 quart capacity.

CABINETSMITH TERMS & CONDITIONS

TERMS

Cabinetsmith's terms are NET 30 DAYS to accounts with approved credit. All new accounts are COD for first 30 days. Application for credit must include bank and trade references. A 1.5% monthly finance charge will be calculated on ALL OVERDUE ACCOUNTS.

RETURNS AND CREDIT

There will be no restocking charge for damaged goods, shipping errors, order desk errors or manufacturer defects. We will issue credit notes upon receipt and verification of goods. Call our order desk for a Return Authorization and we will arrange to pick it up, no charge. NOTE: Pictures may be required in the event of defects/damages before a claim can be authorized.

STOCK

Returns for any other reason for stock items must be in original condition and packaging. A Minimum 20% restocking fee will be applied (minimum charge \$5). This fee is to cover initial order processing, freight out, invoicing, return processing, freight back, handling, and credit issuing. For areas not serviced by CanSave's fleet, dealer is responsible for return freight. Please call the Order Desk or your Sales Representative to discuss your request.

SPECIAL ORDERS

All kitchen cabinets & vanities are considered special order, as they are "made to order". Please be sure to OBTAIN A DEPOSIT from YOUR customer before placing a special order! Special orders can NOT be returned or cancelled once the manufacturer has processed them! Your purchase order will be considered a binding contract. LEAD TIMES quoted for special orders are approximate. Special orders can NOT be cancelled in the event of an extended lead time. Please be certain that your customers understand this before you place a special order. RETURN AUTHORIZATIONS are valid for 30 days from date of issue. Product not returned within 30 days is dealer's responsibility. OUR DRIVERS ARE UNABLE TO ACCEPT ANY RETURN WITHOUT PROPER PAPERWORK. CanSave is not responsible for any product that comes back without proper authorization.

CLAIMS

DAMAGE CLAIMS, or claims for MISSING PRODUCT must be made within 48 hours of delivery. Pictures may be required in the event of defects/damages before a claim can be authorized. CONCEALED DAMAGE must be reported within 7 days, and product MUST be returned in original undamaged packaging. Claims for credits due to PRICING ERRORS must be made within 60 days of invoicing.

WARRANTIES

We will replace any goods and take care of warranty claims for you, as long as it falls within the manufacturer's warranty guidelines. The manufacturers' word is final, and Cabinetsmith does not offer extended or additional warranty coverage. Cabinetsmith does not cover labour charges.

For complete warranty details, please refer to <https://cabinetsmith.ca/wp-content/uploads/2016/10/Cabinetsmith-Warranty-Eng.pdf>

All Warranties are to be submitted online under dealer portal @ www.cabinetsmith.ca/warranty-requests

CABINETSMITH SERIES COMPARISON CHART

	IMPRESSION	SELECT
DOOR MATERIAL	EcoStyle doors	Thermofoil & Melamine
INTERIOR	Maple	White
EXTERIOR	Melamine Colour matched to door	Melamine Colour matched to door
VERTICAL EDGE TAPE	Colour matched to door	Colour matched to door
HORIZ EDGE TAPE	Maple	White
OVERLAYS REQUIRED?	no	High Gloss white only
WALL CABINET HEIGHTS	30"H, 36"H, 40"H	30"H, 40"H 36"H in SSW, SSD, SSL, SSS, SMW Only
TOP DRAWER HEIGHT	6-3/16"H	5"H
SOFT CLOSE	INCLUDED as standard where available	Available as upcharge
MATCHING INTERIOR WALL CABINETS	Available as upcharge	Available as upcharge
INTERO DRW (Full Ext, SC)	N/A	Available as upcharge
DOVETAIL DRAWER	Available as upcharge	N/A
DRAWER STACKS	Standard drawer options with 2-Drawer & 4-Drawer	Standard Select drawer options
VANITIES	See Cabinetsmith Online or Impression Vanity Page	In spec: Special order vanities (Notched Gable, Non-soft close, not drilled) or Quick Ship Page (Full gable side, soft-close, drilled for knob)

FOR CURRENT LEAD TIME, GO TO WWW.CABINETSMITH.CA/LEAD-TIMES-FOR-NEW-ORDERS



IMPRESSION
series

Specification Guide